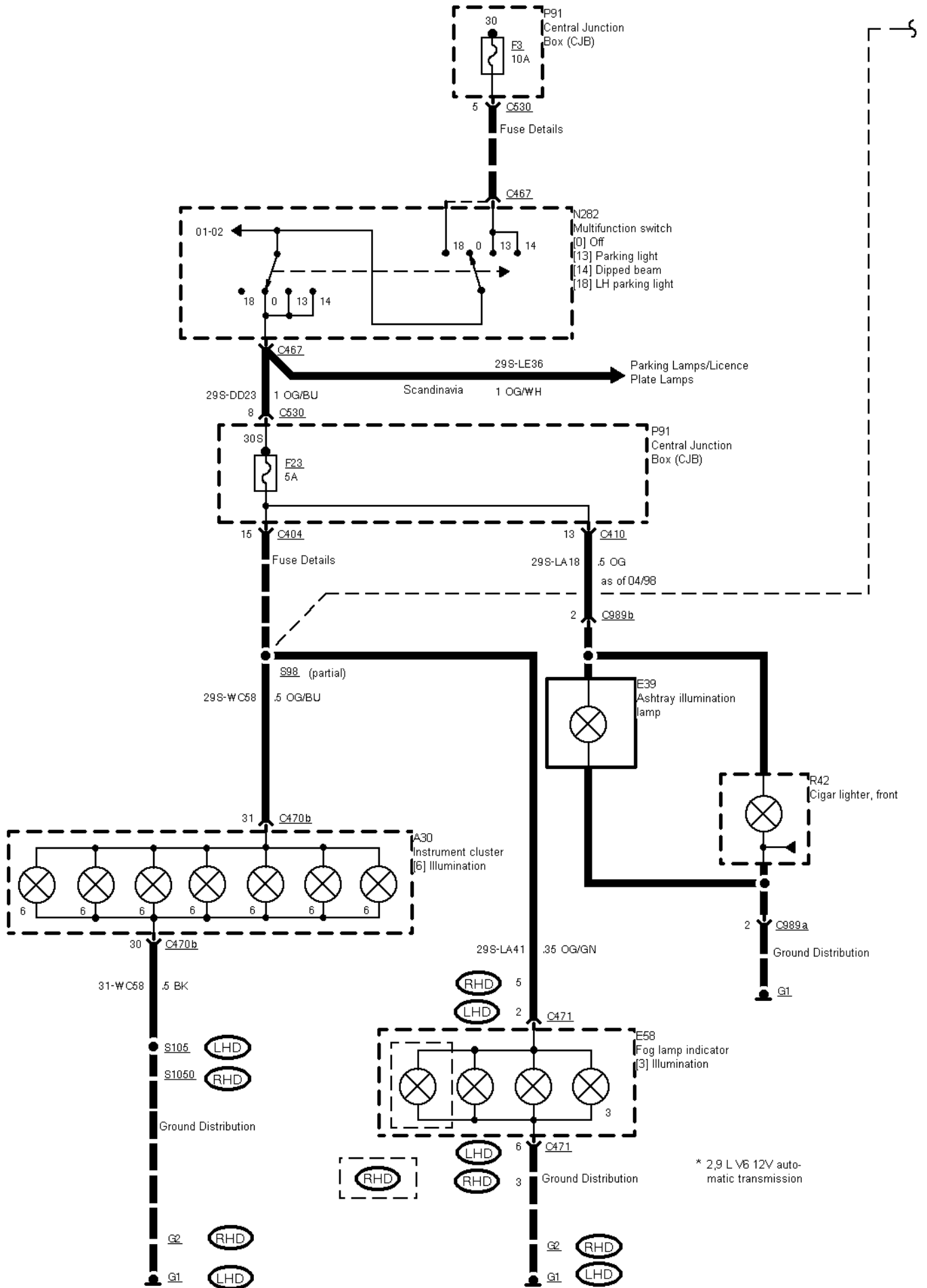
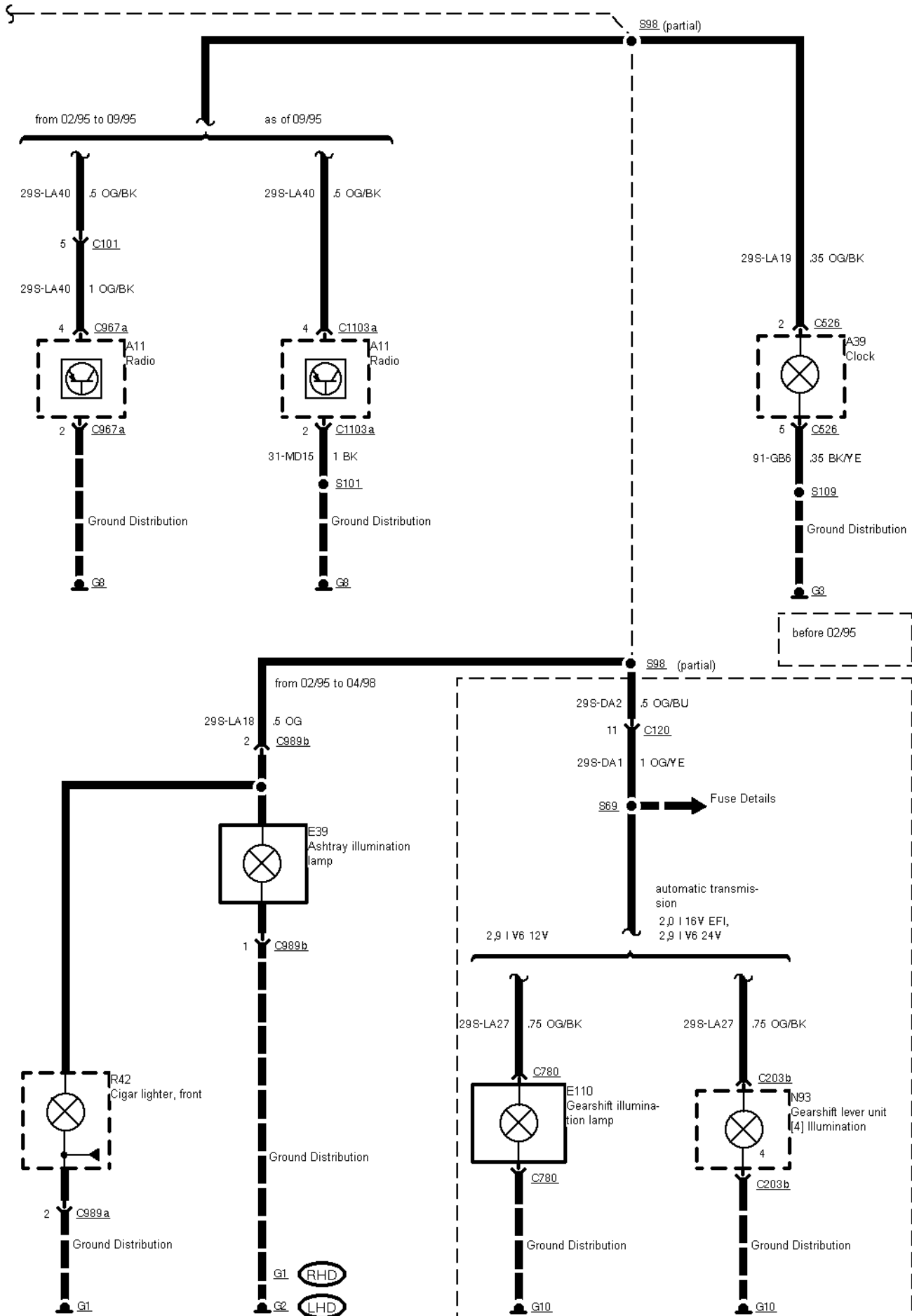


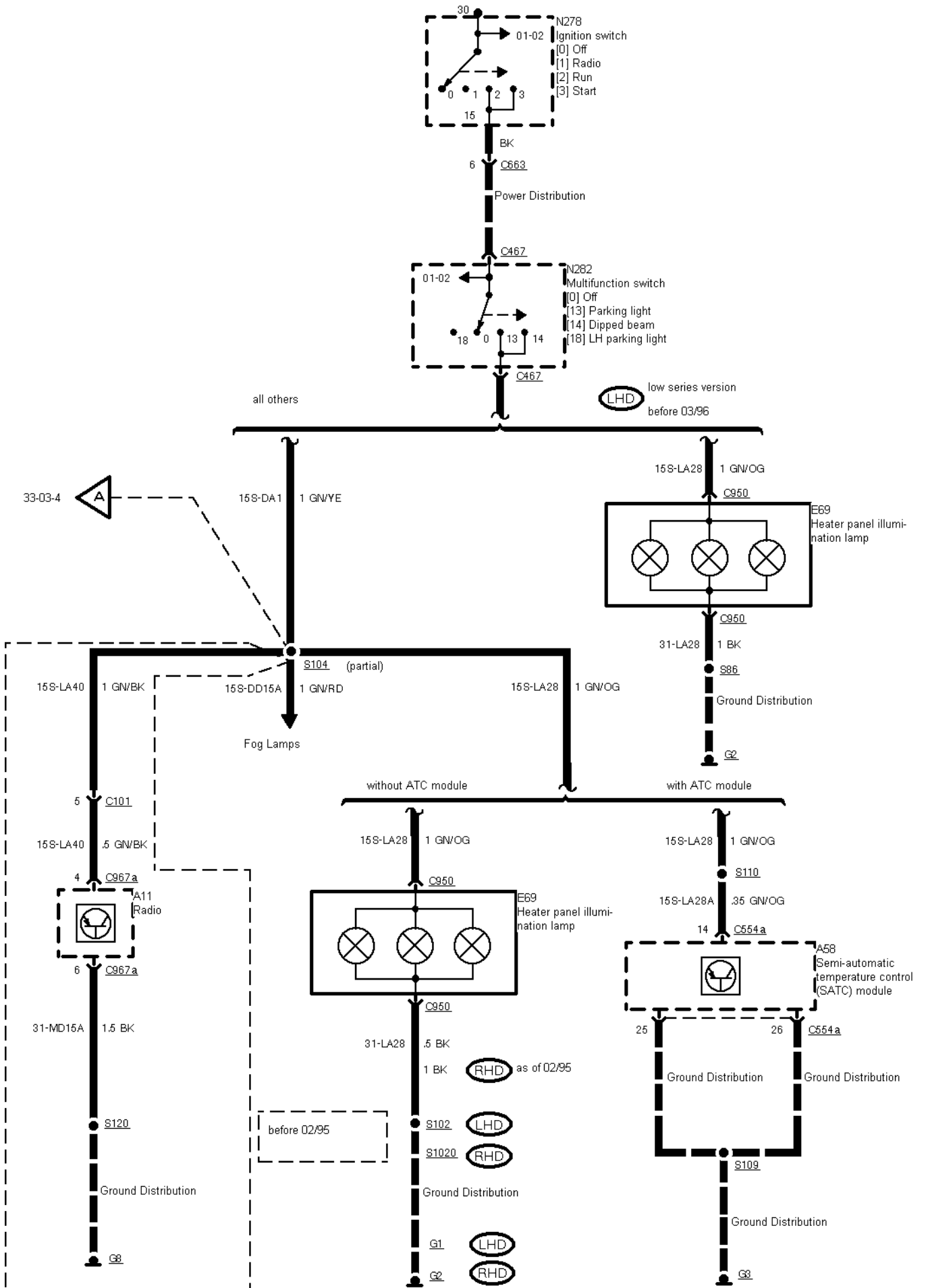
33-03-001 , Instrument Illumination



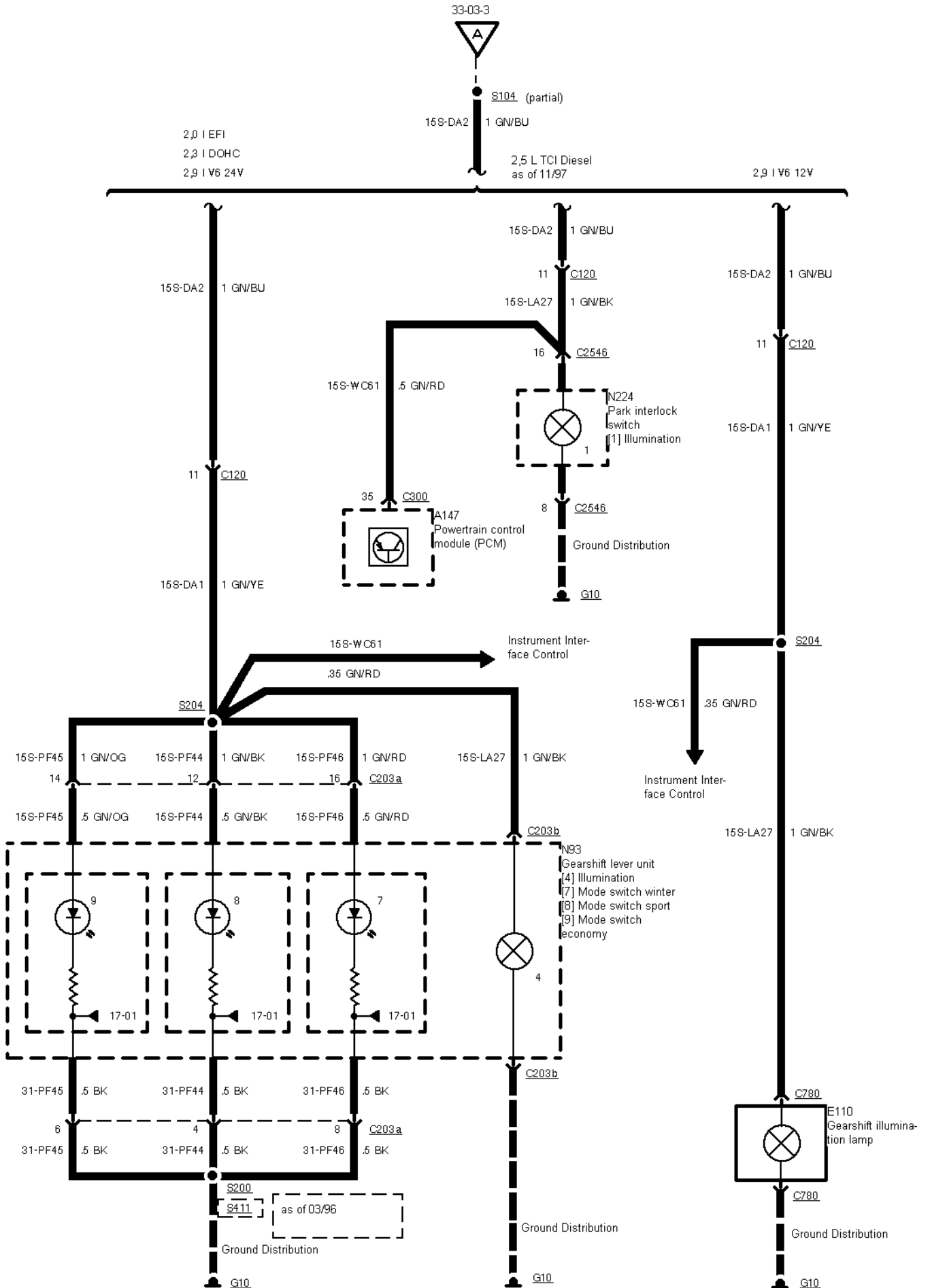
33-03-002 , Instrument Illumination



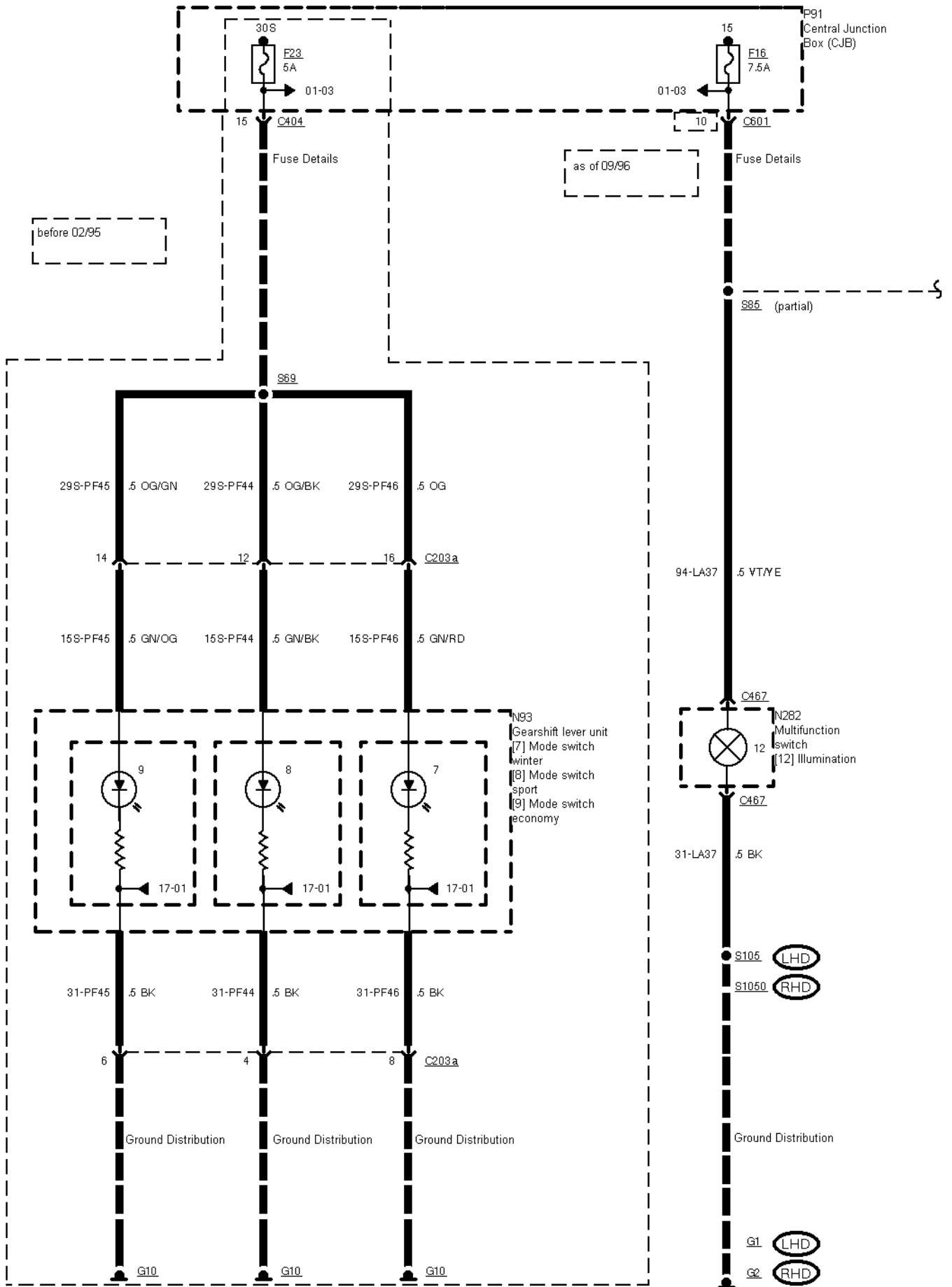
33-03-003 , Instrument Illumination



33-03-004 , Instrument Illumination , As of 02/95 Automatic transmission

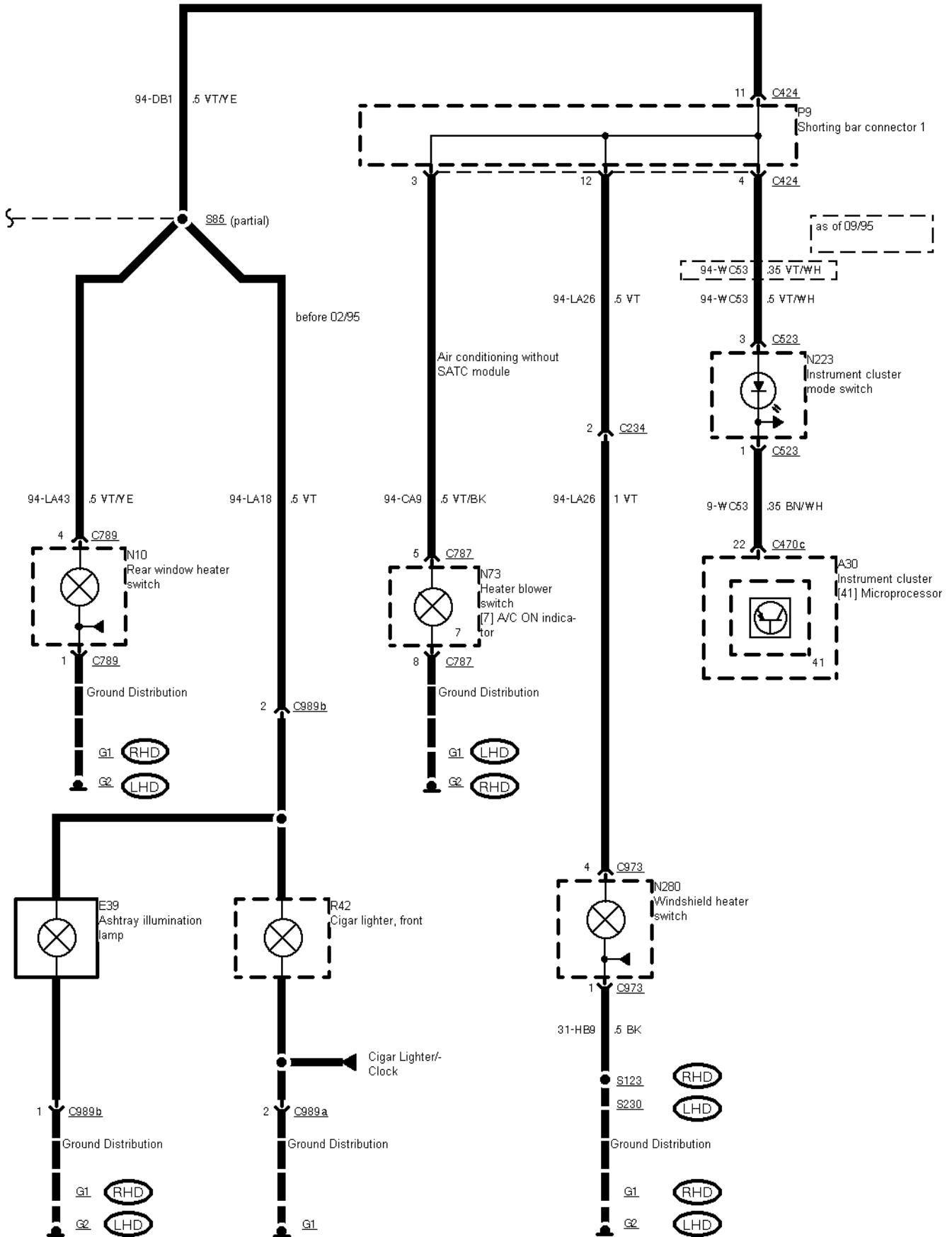


33-03-005 , Instrument Illumination

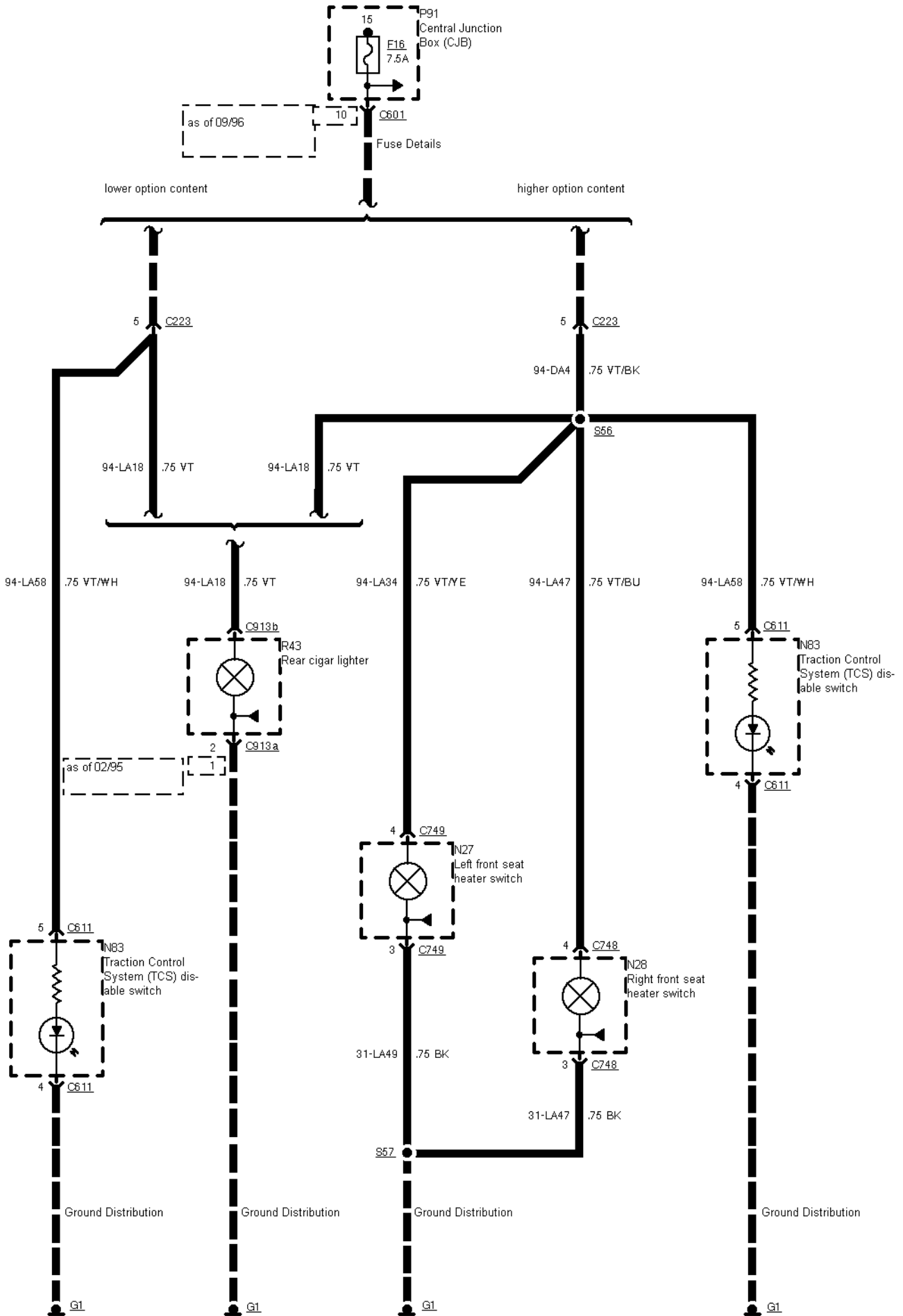


33-03-006 , Instrument Illumination

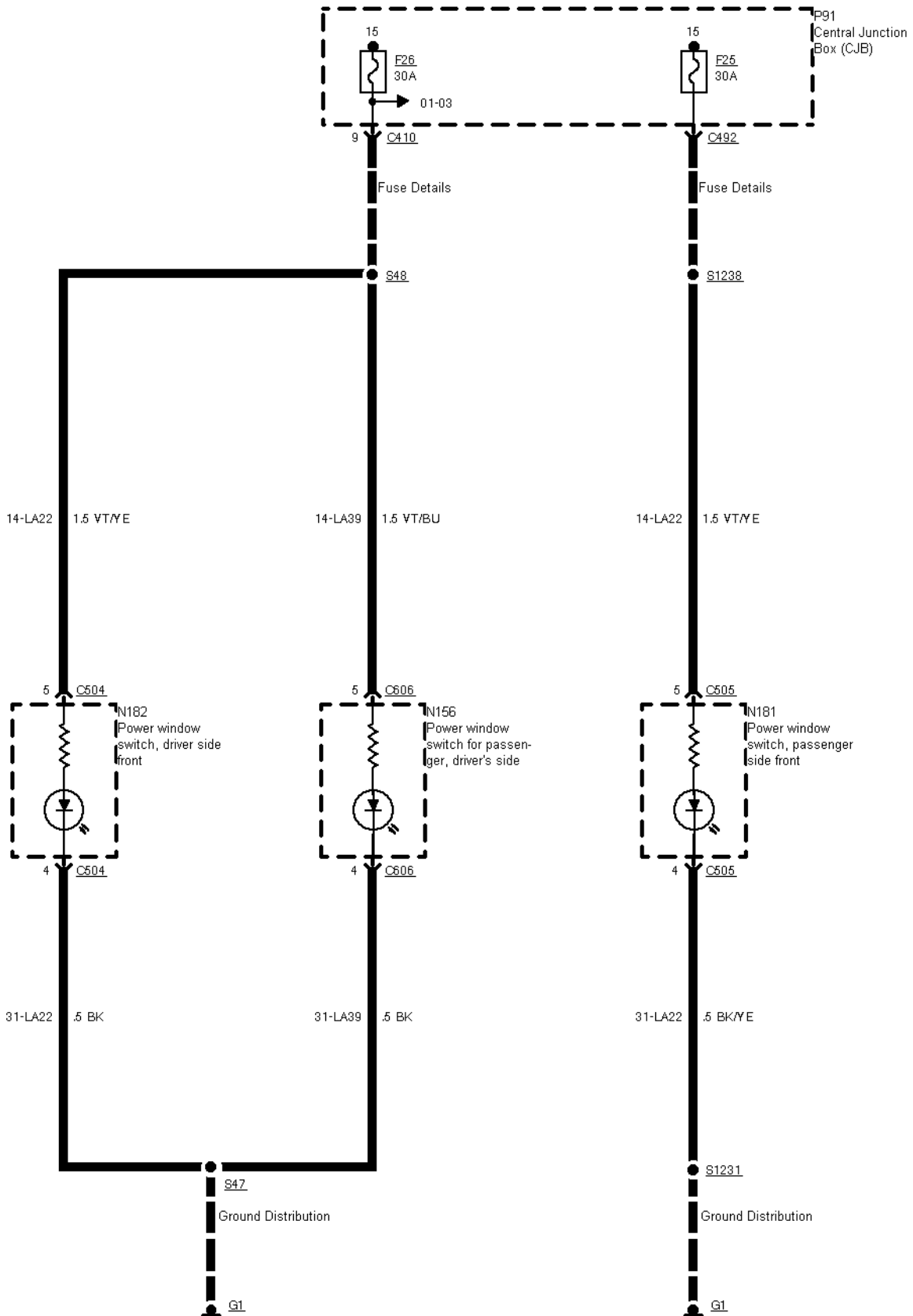
* Air conditioning without SATC module

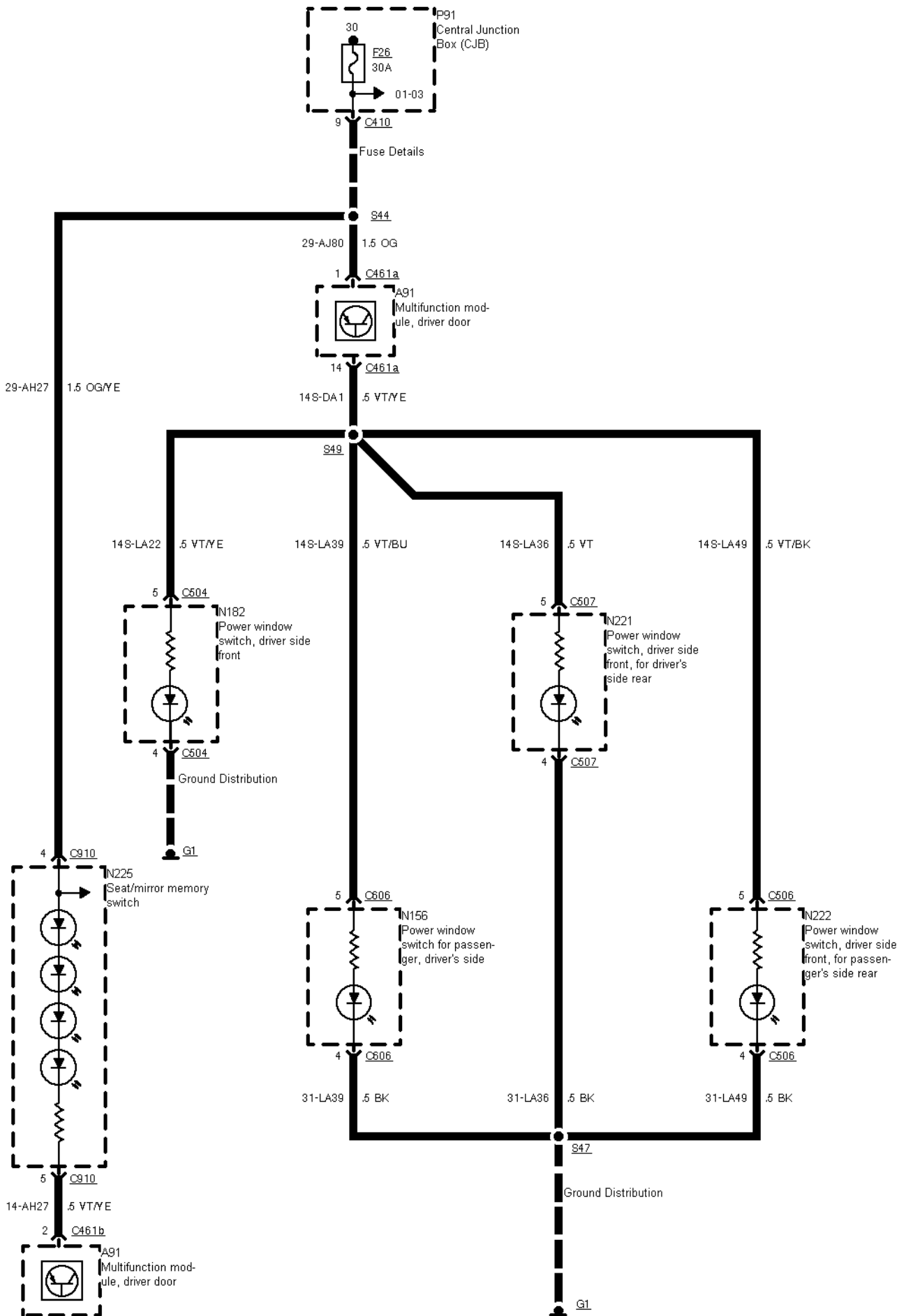


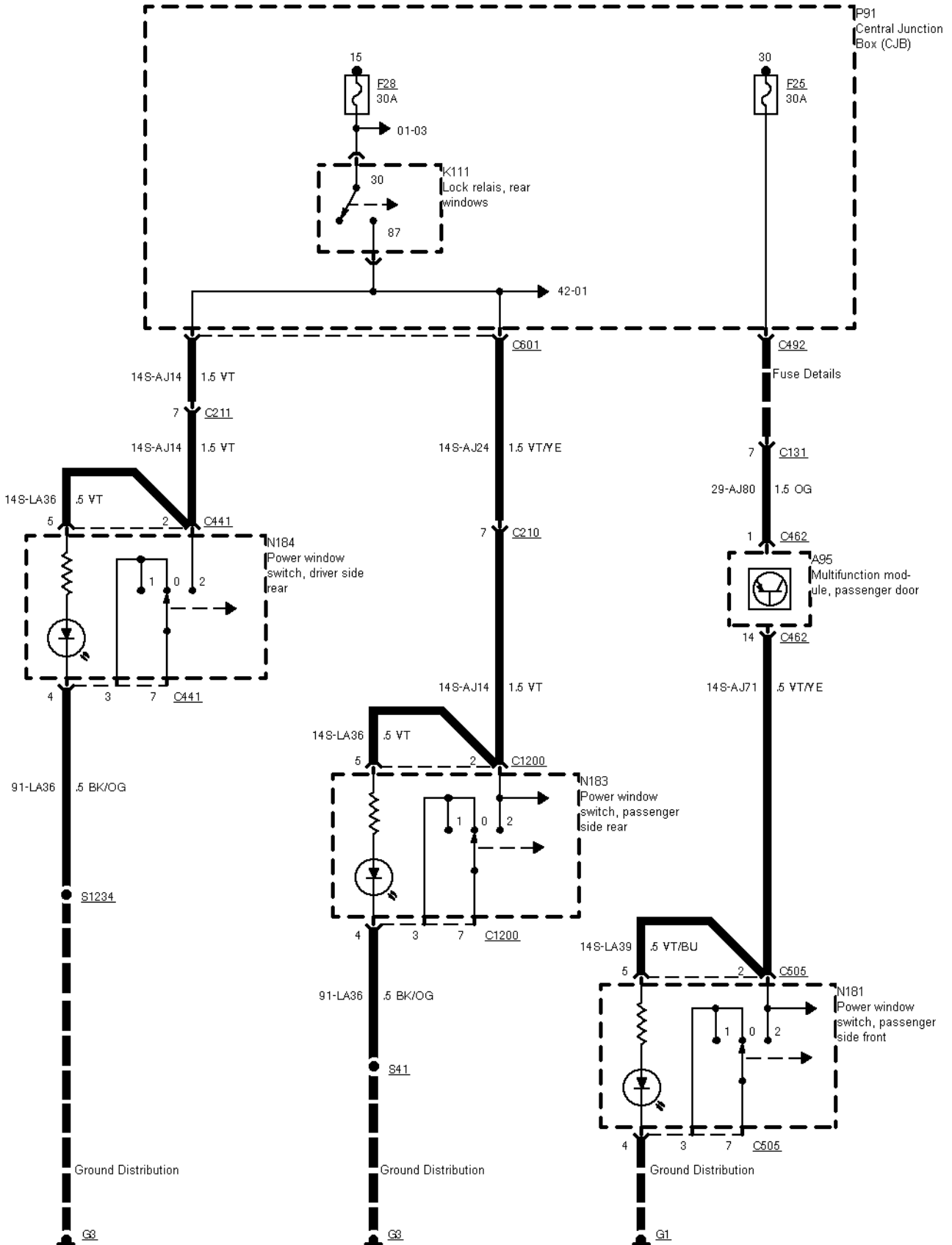
33-03-007 , Instrument Illumination



33-03-008 , Instrument Illumination , Front power window Before 02/95







33-03-011 , Instrument Illumination , Front power window As of 02/95

