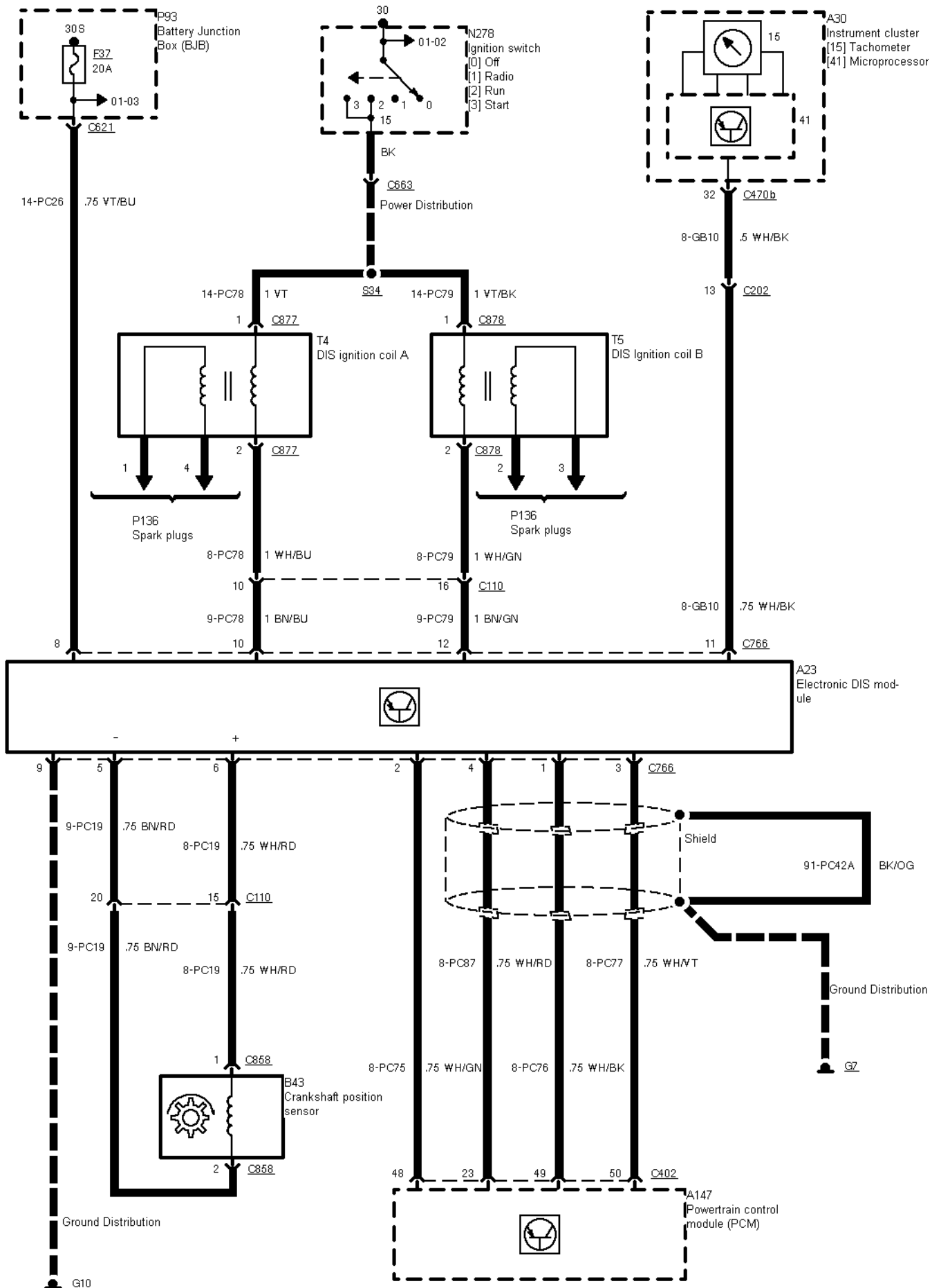
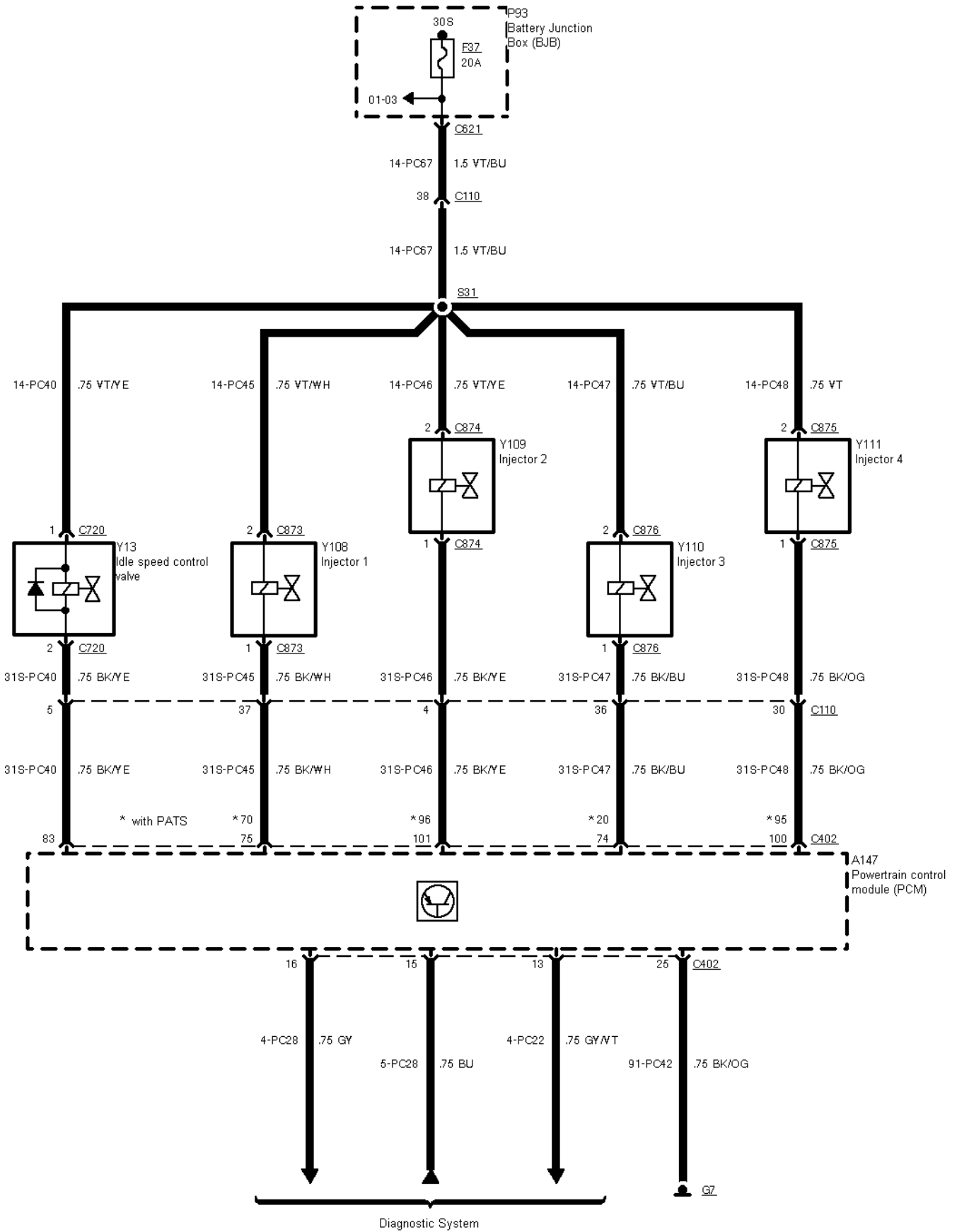


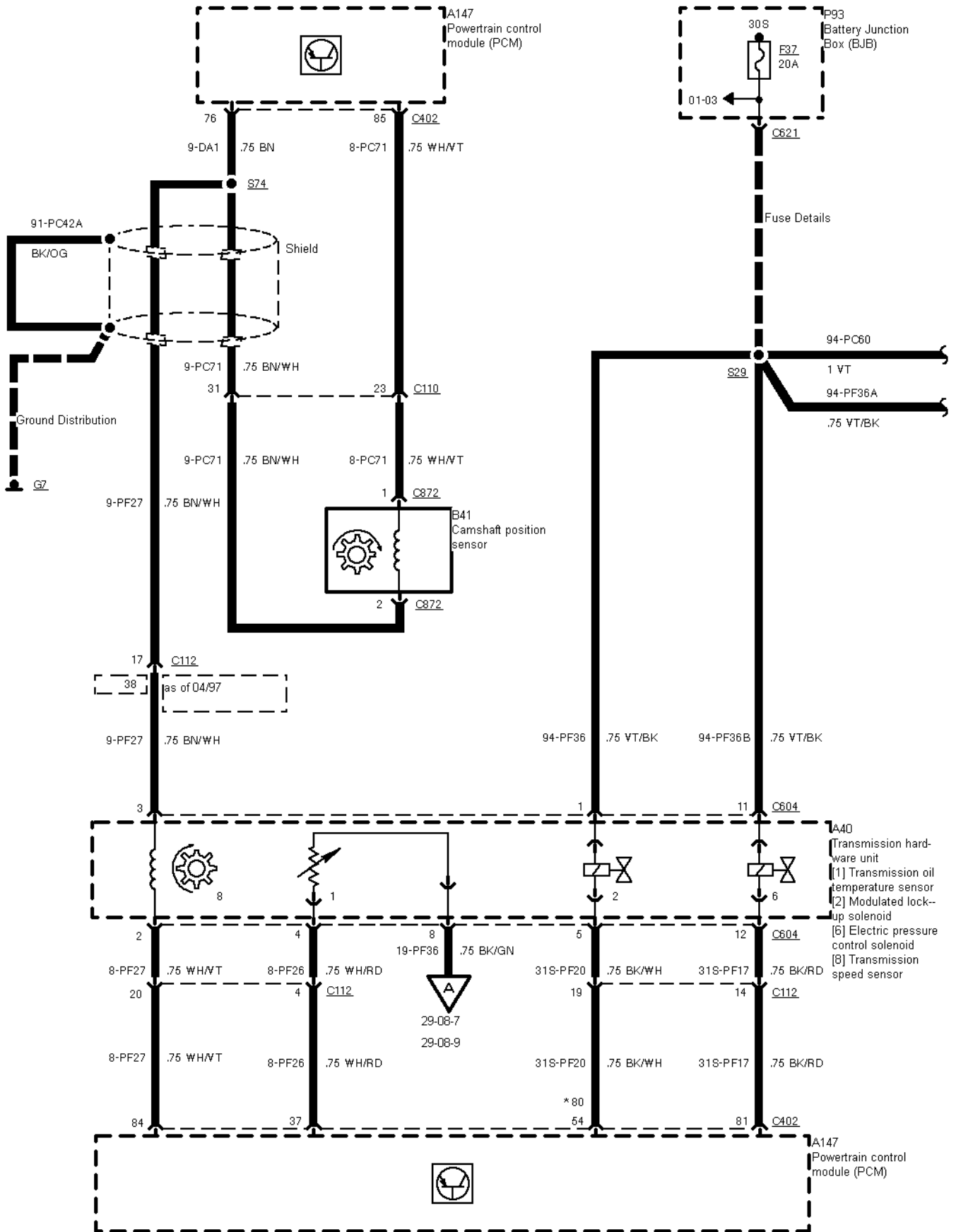
29-08-001 , Engine Control 2,3 I DOHC (Automatic Transmission) , Ignition



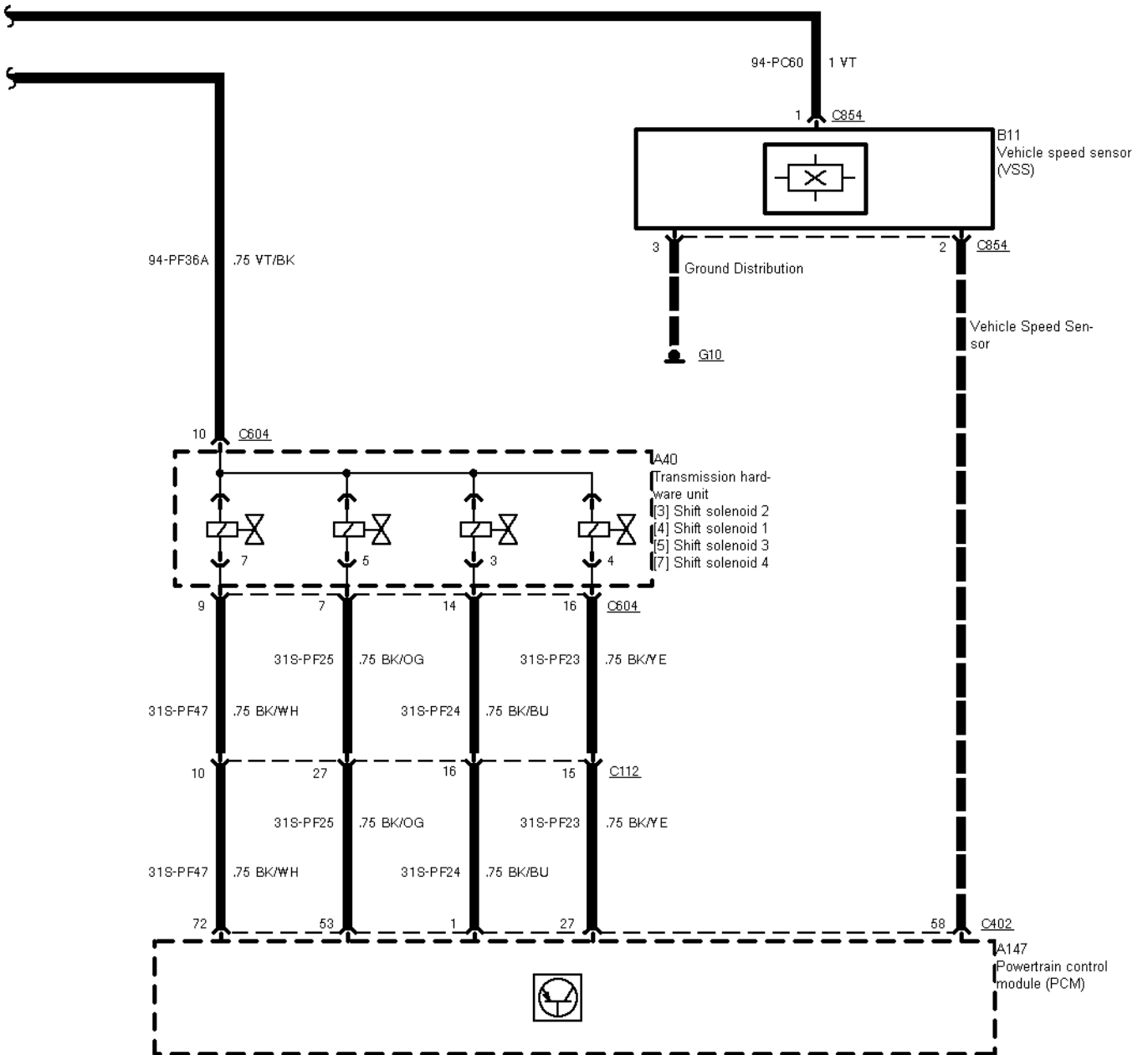
29-08-002 , Engine Control 2,3 I DOHC (Automatic Transmission) , Fuel injectors



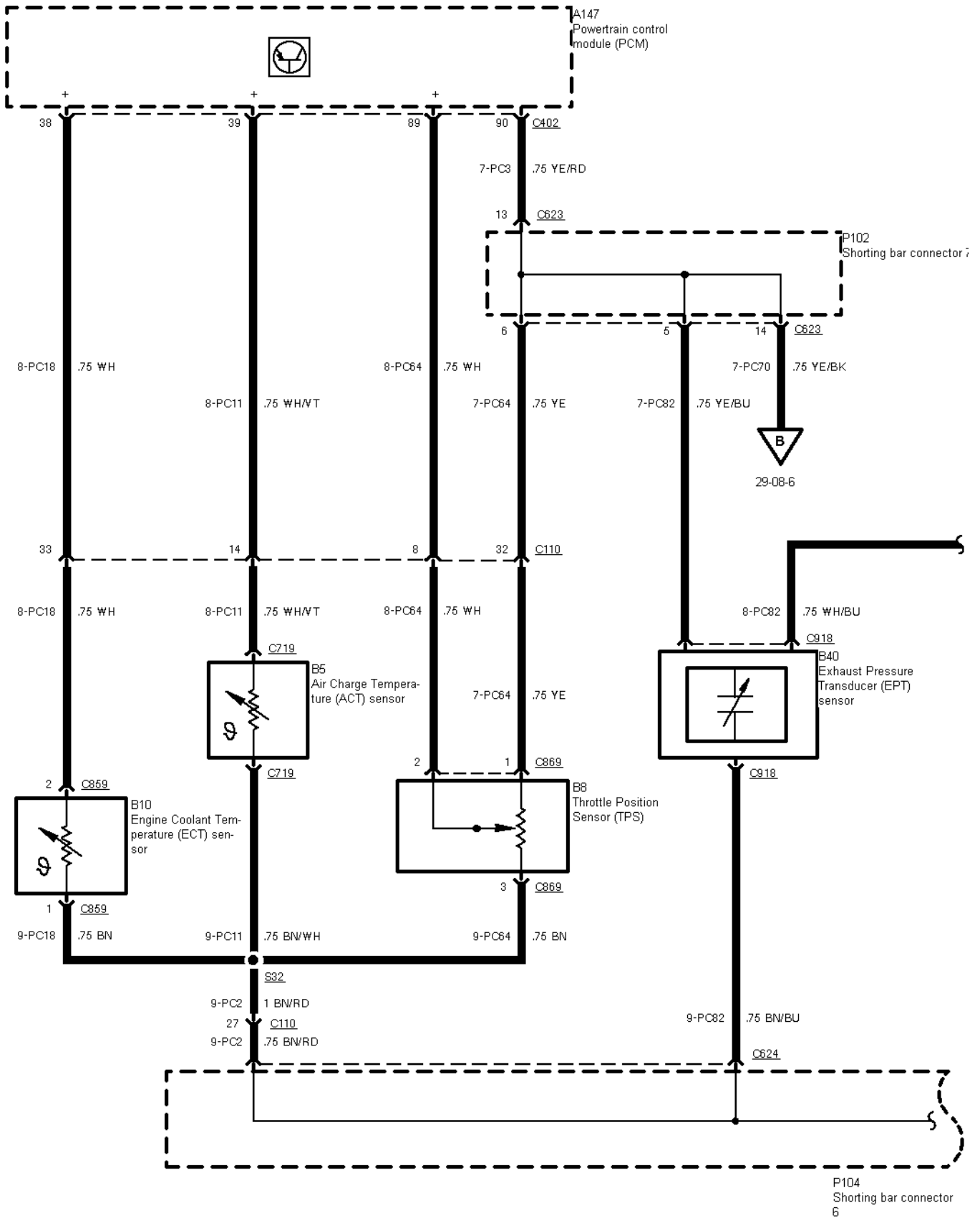
29-08-003 , Engine Control 2,3 I DOHC (Automatic Transmission)



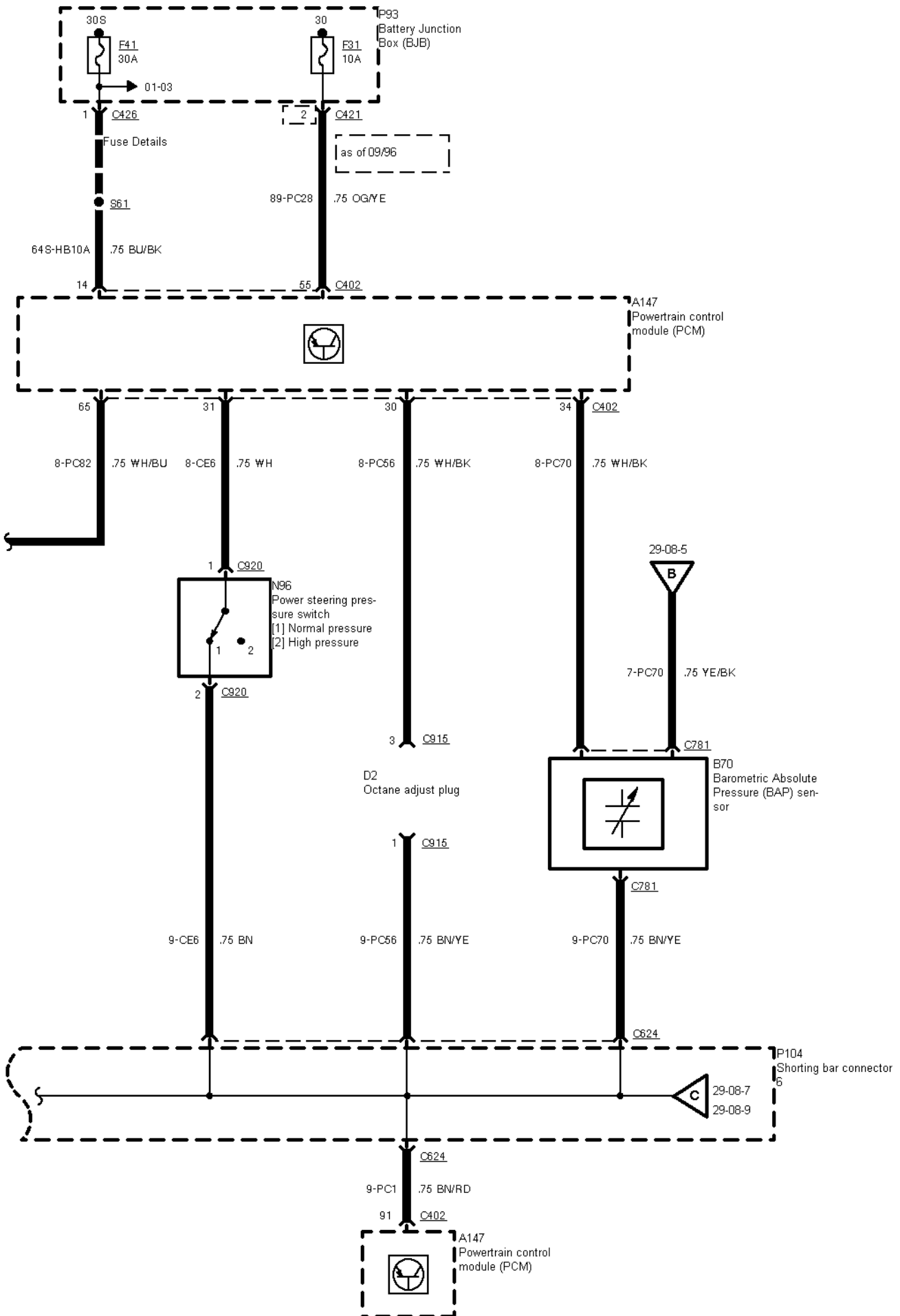
29-08-004 , Engine Control 2,3 I DOHC (Automatic Transmission)

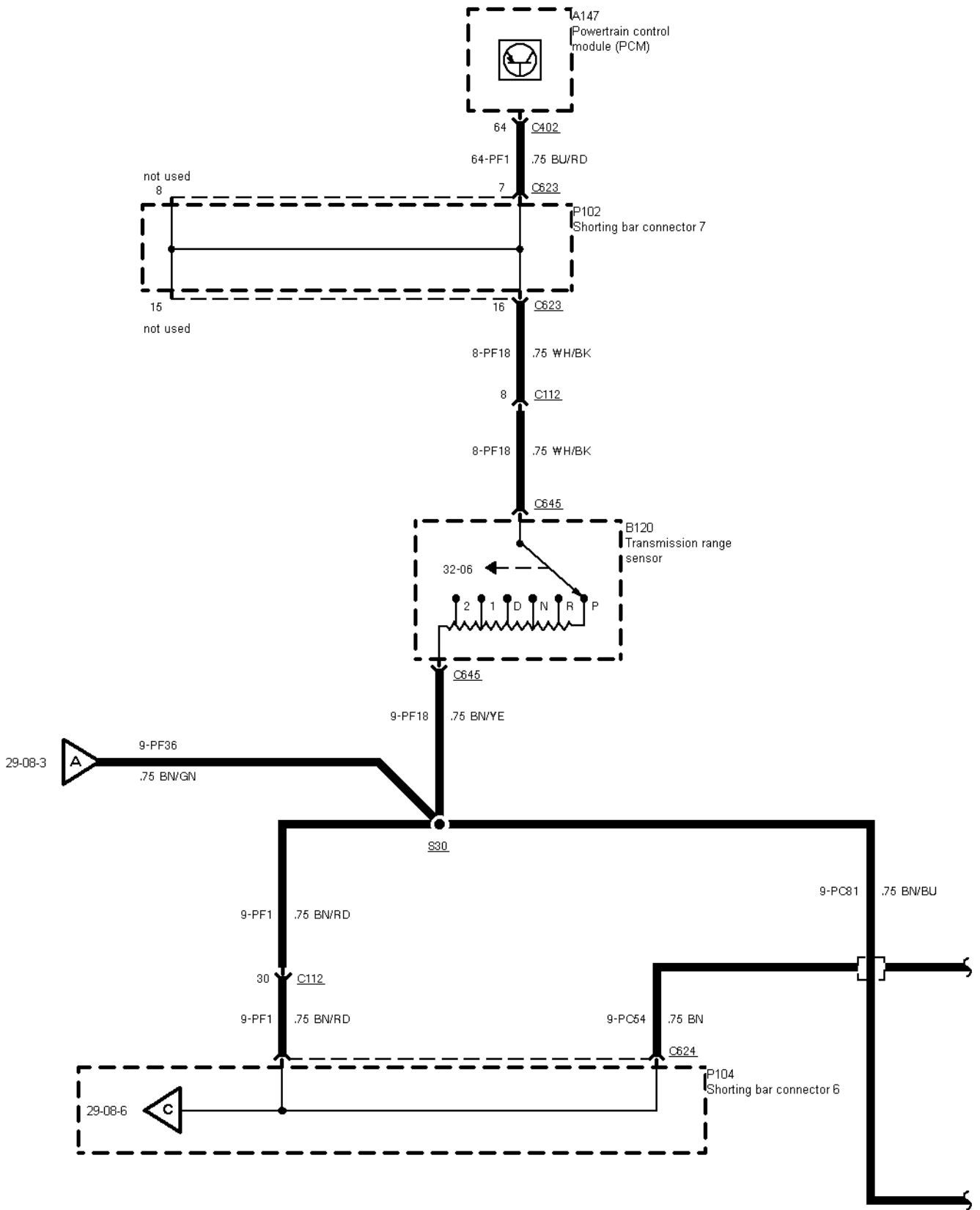


29-08-005 , Engine Control 2,3 I DOHC (Automatic Transmission) , Sensors

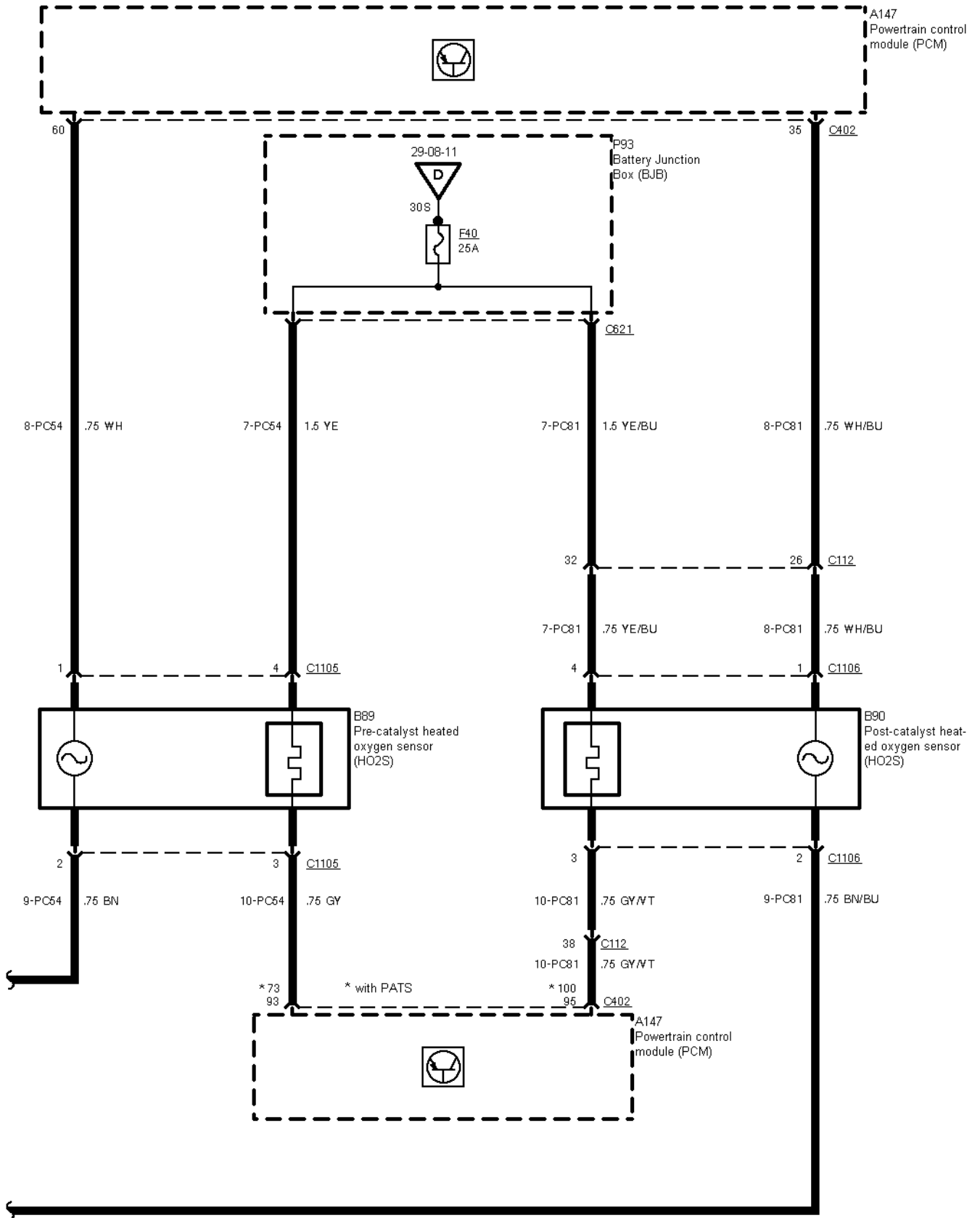


29-08-006 , Engine Control 2,3 I DOHC (Automatic Transmission)

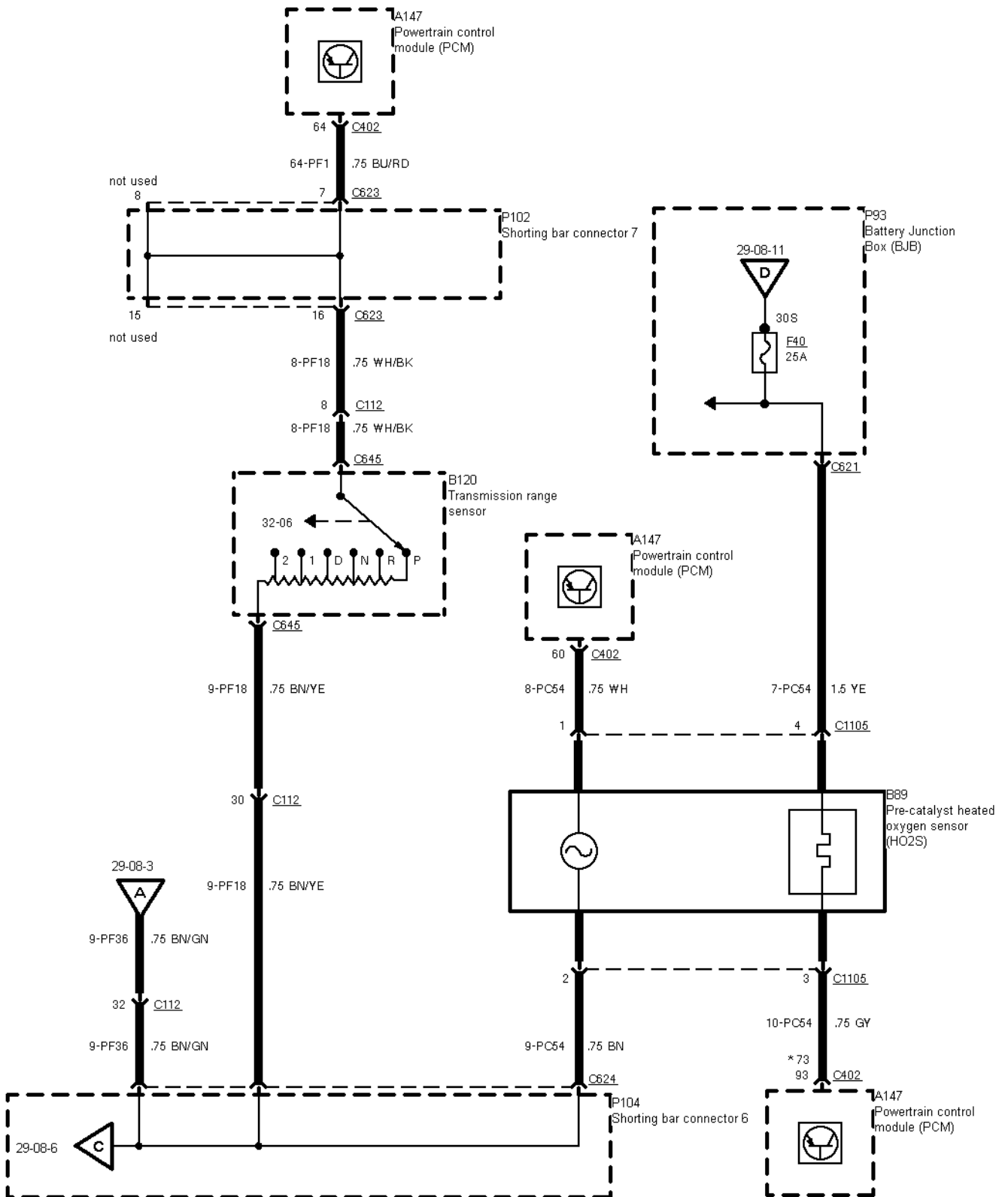




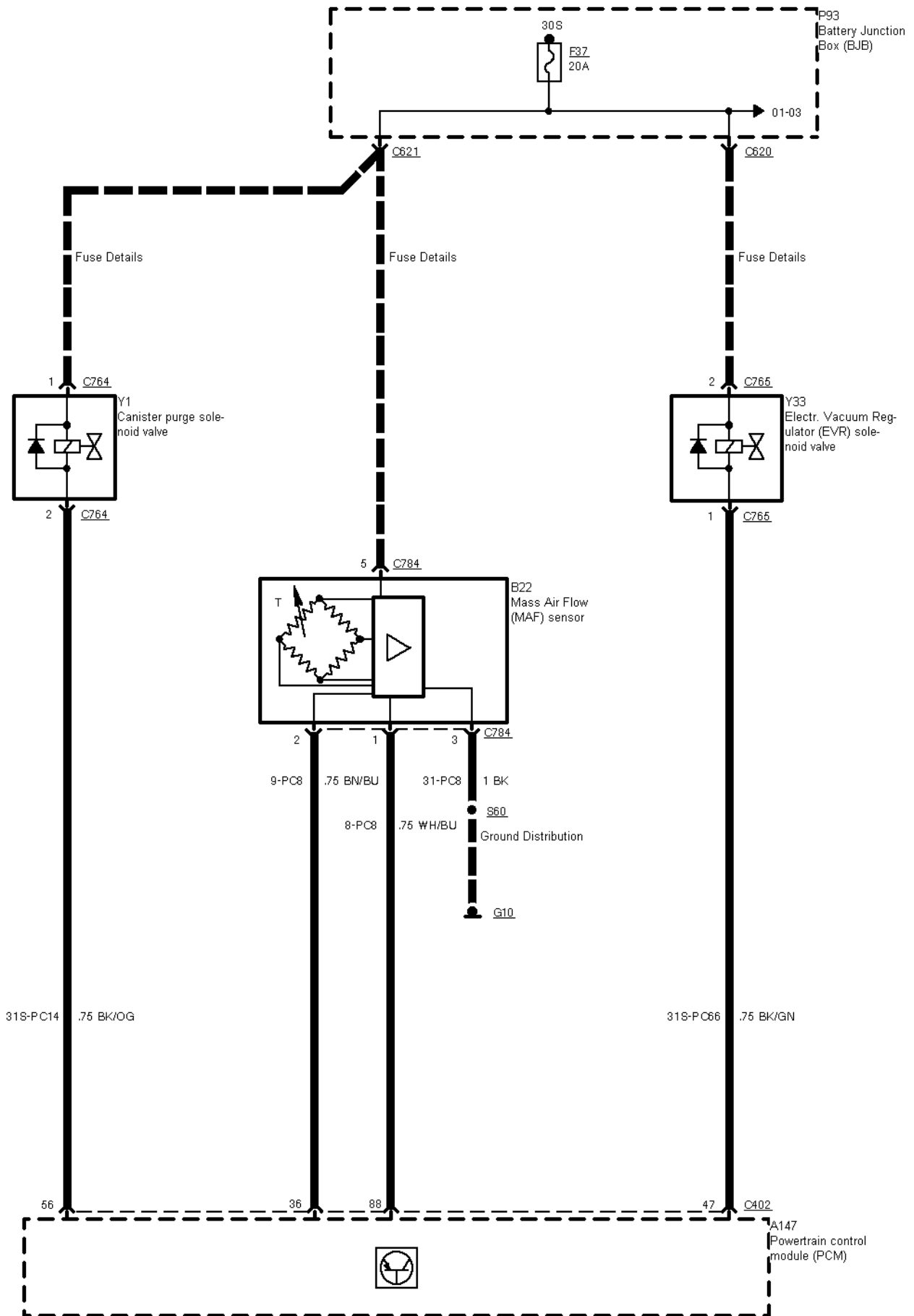
29-08-008 , Engine Control 2,3 I DOHC (Automatic Transmission) , Sensors before 04/96



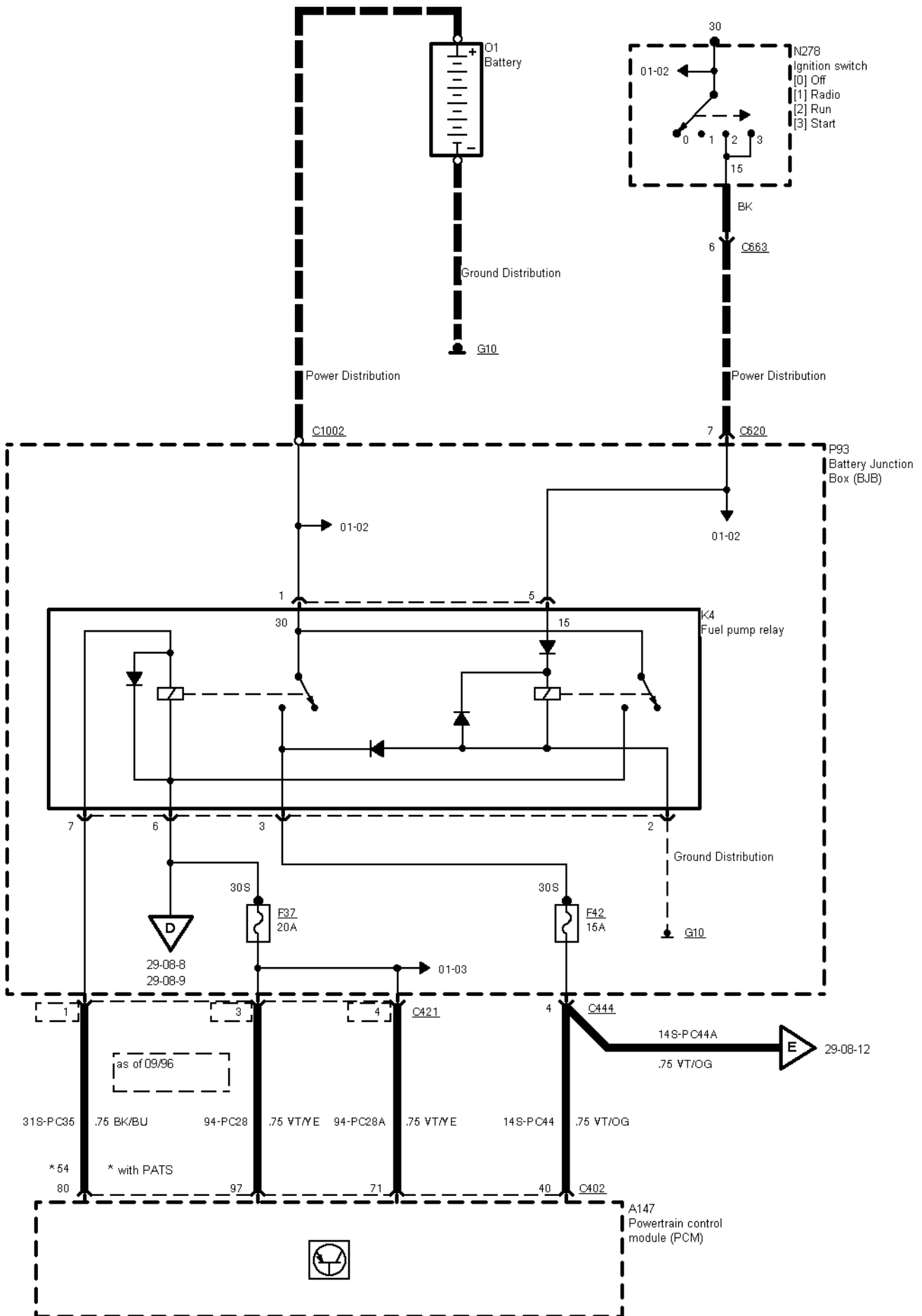




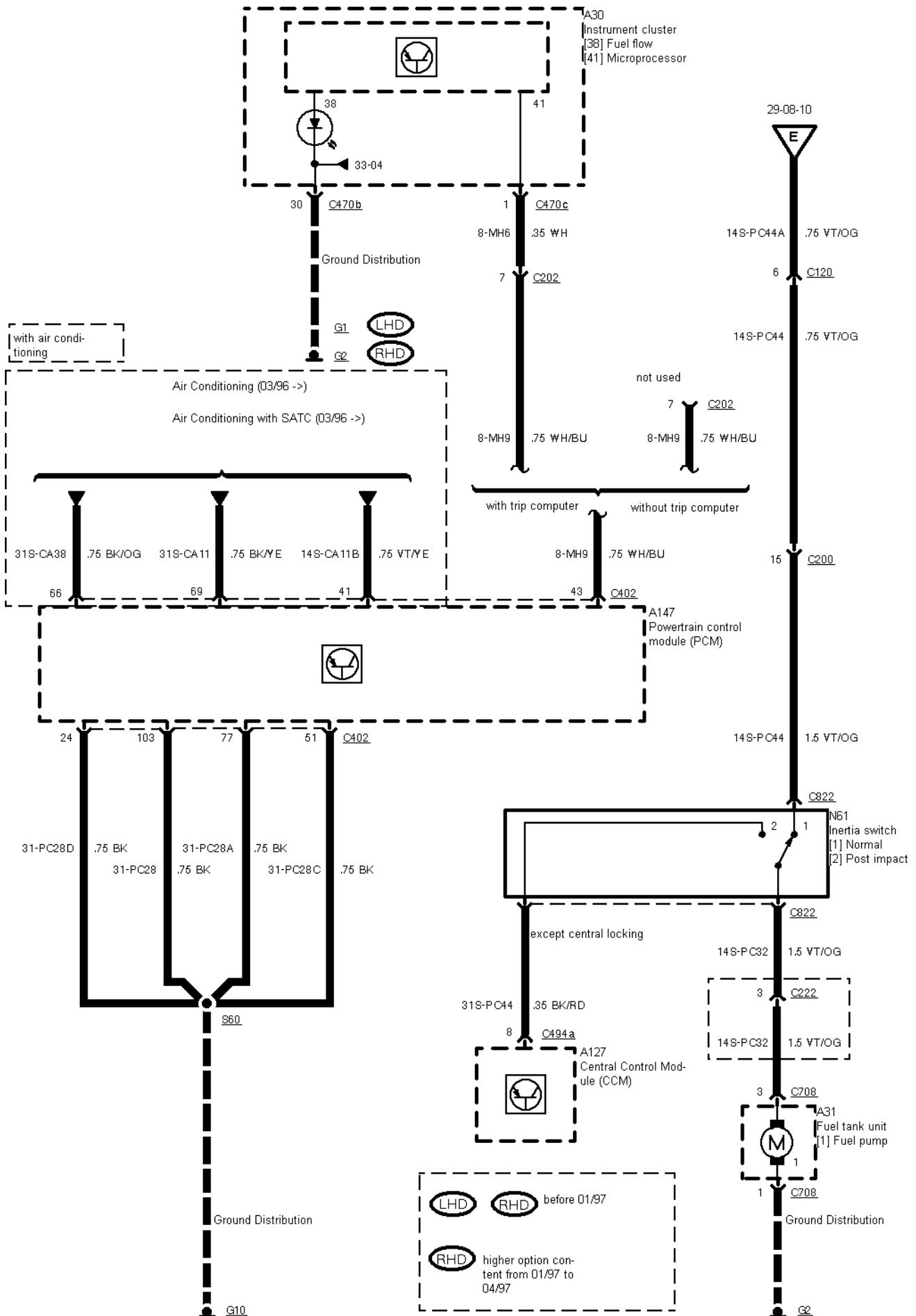
29-08-010 , Engine Control 2,3 I DOHC (Automatic Transmission)



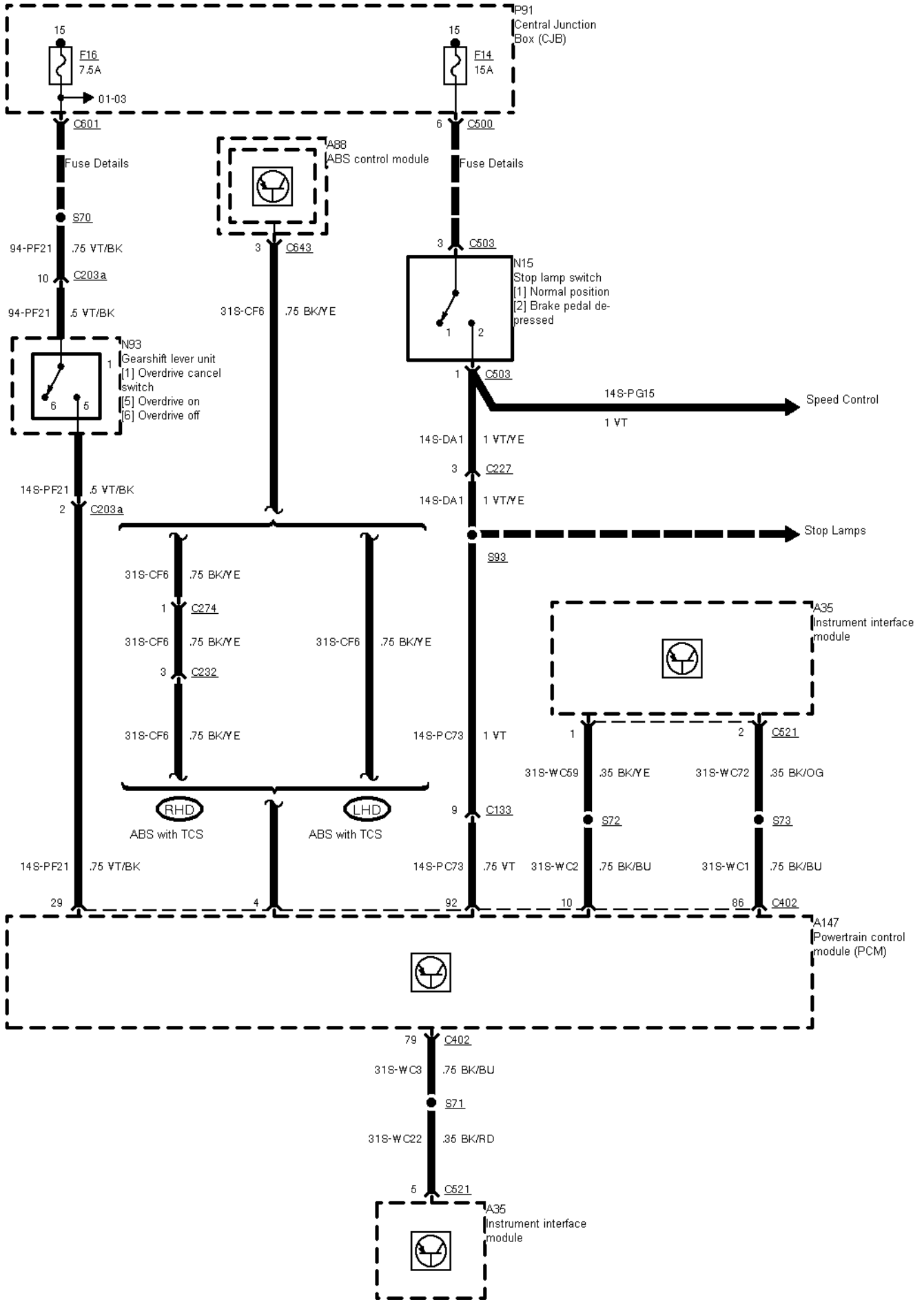
29-08-011 , Engine Control 2,3 I DOHC (Automatic Transmission)



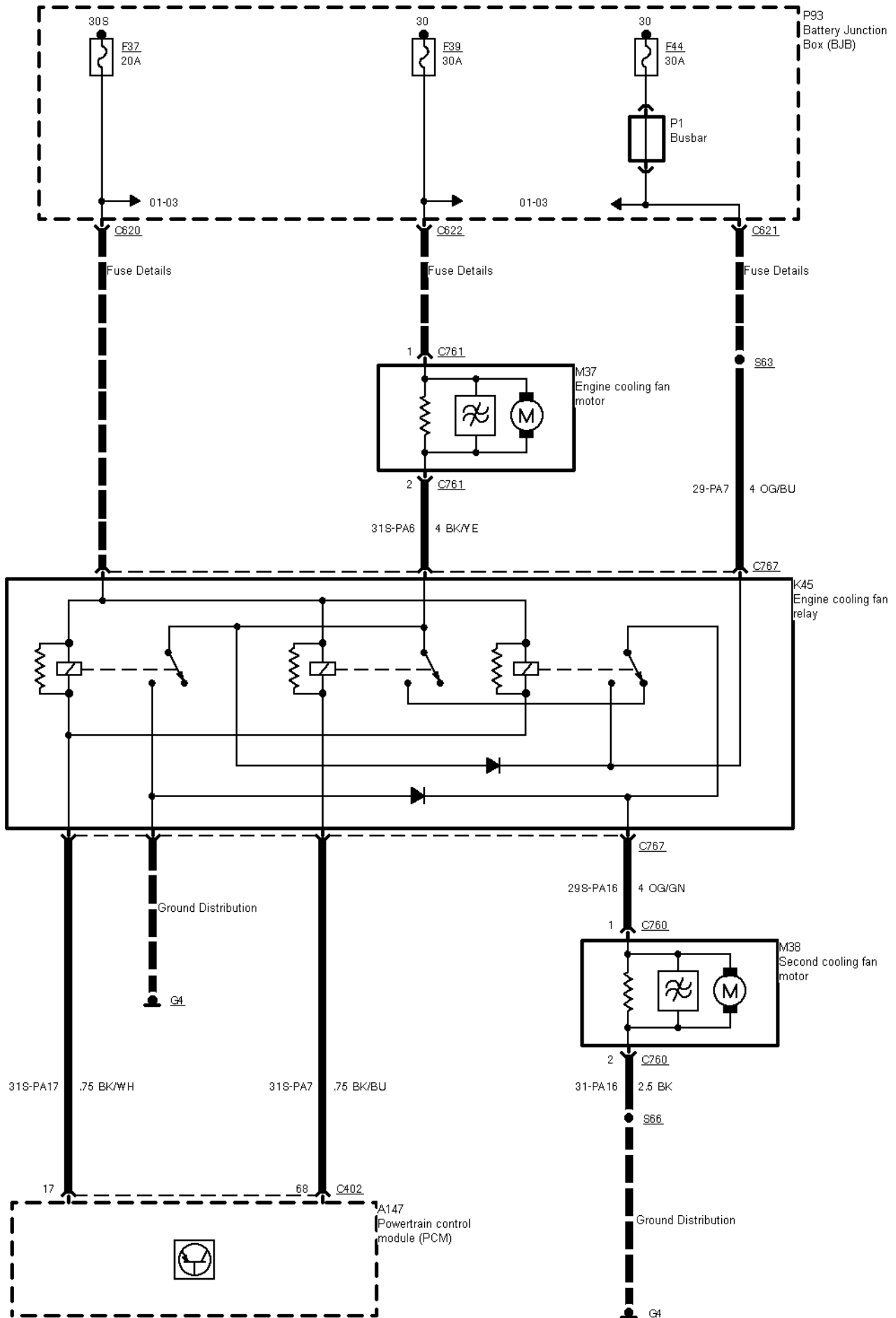
29-08-012 , Engine Control 2,3 I DOHC (Automatic Transmission)



29-08-013 , Engine Control 2,3 I DOHC (Automatic Transmission)



29-08-014 , Engine Control 2,3 I DOHC (Automatic Transmission) , Engine cooling fan



## 2 Circuit Description

---