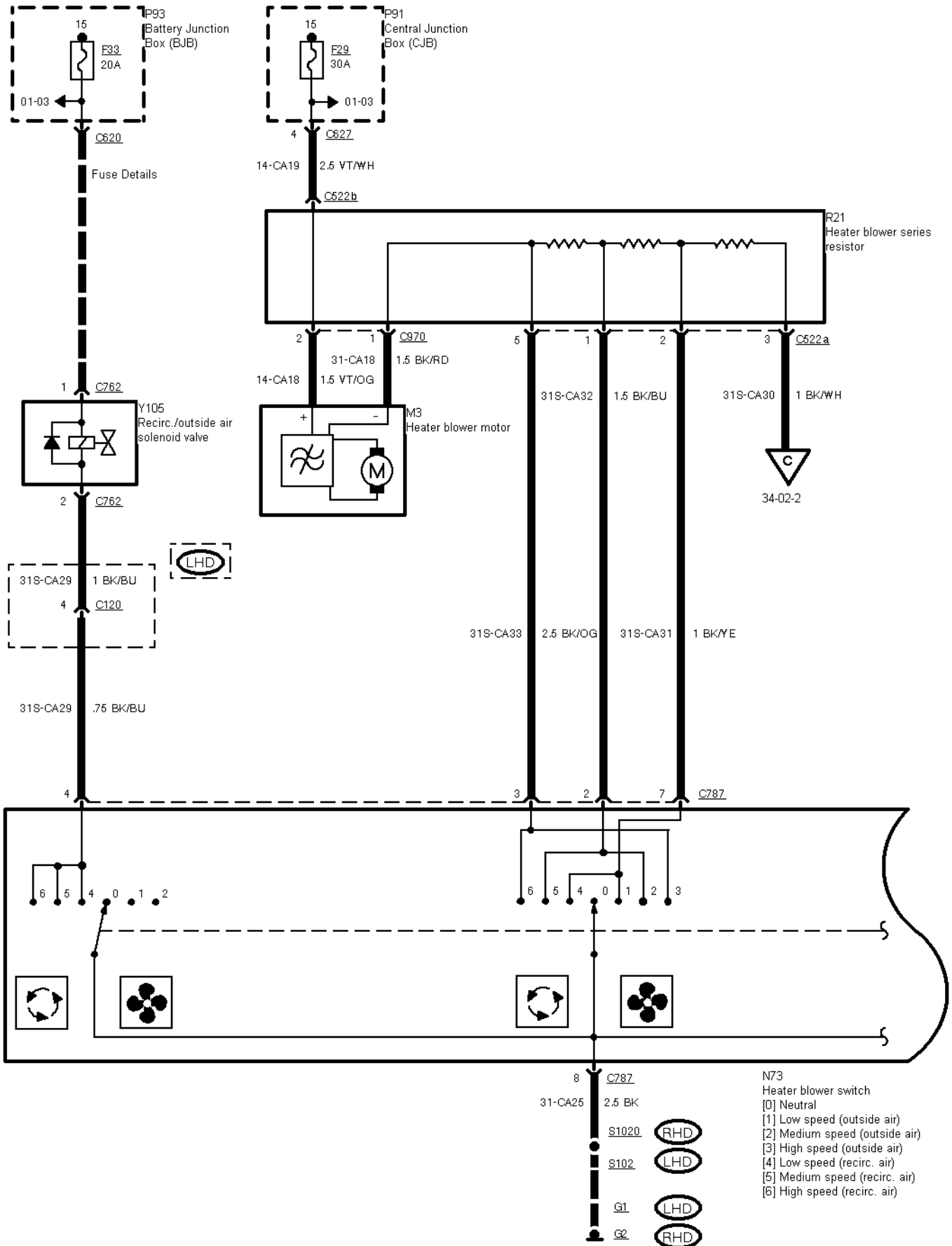
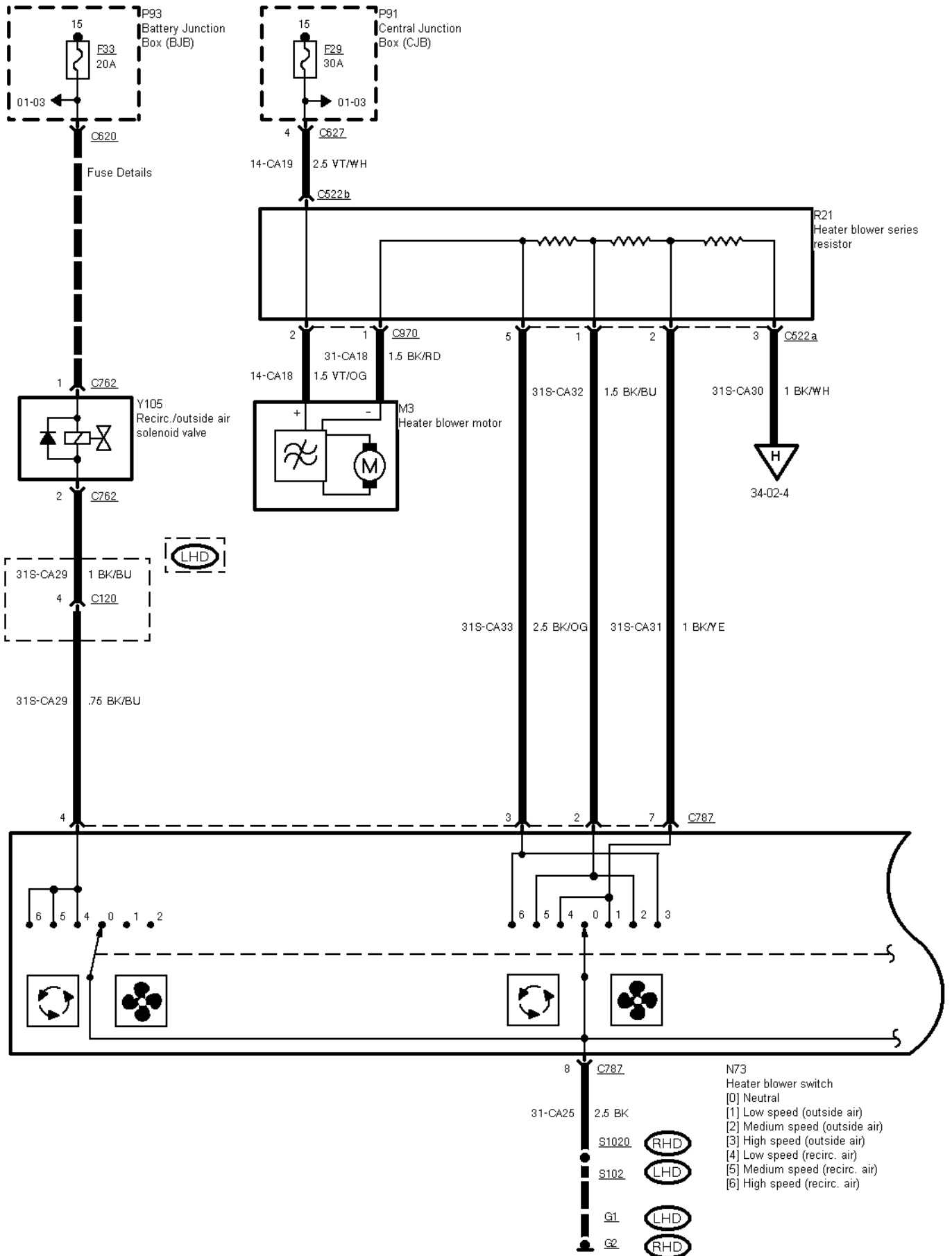


**34-02-001 , Air Conditioning , Without SATC module, except 2,9 I V6 12V, except TCI Diesel**

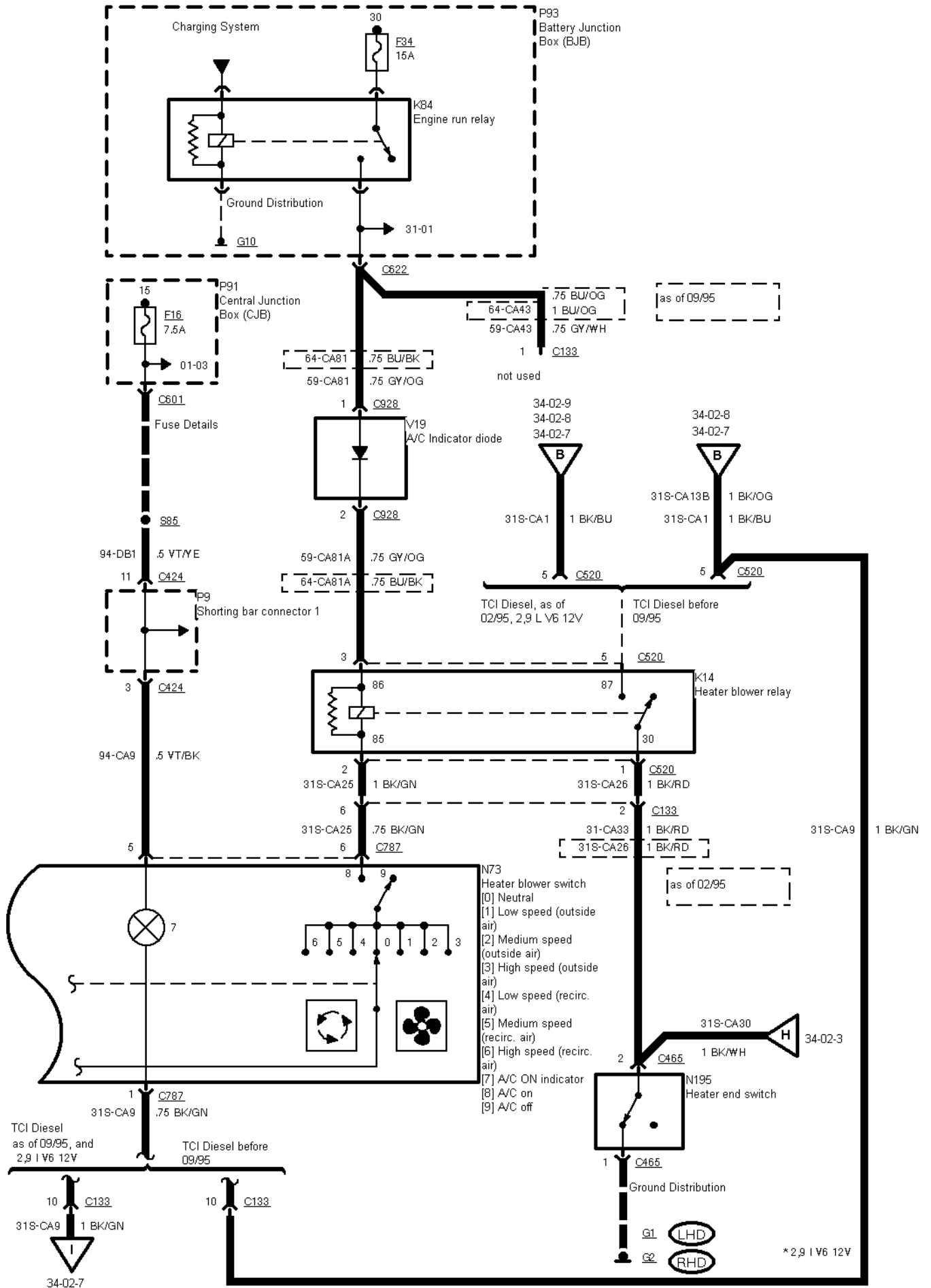




34-02-003 , Air Conditioning , Without SATC module, 2,9 I V6 12V, TCI Diesel



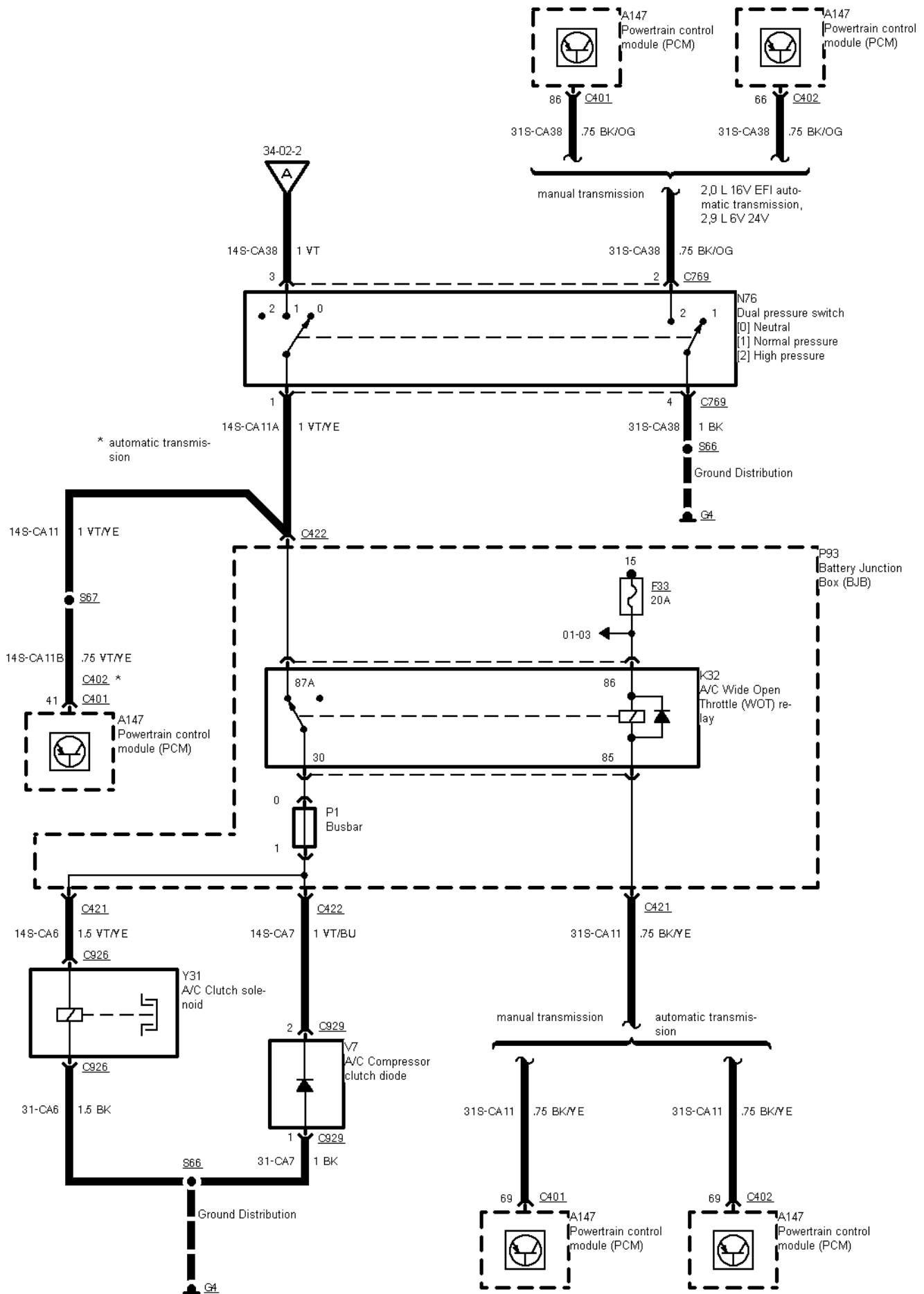
34-02-004 , Air Conditioning , Without SATC module, 2,9 I V6 12V, TCI Diesel



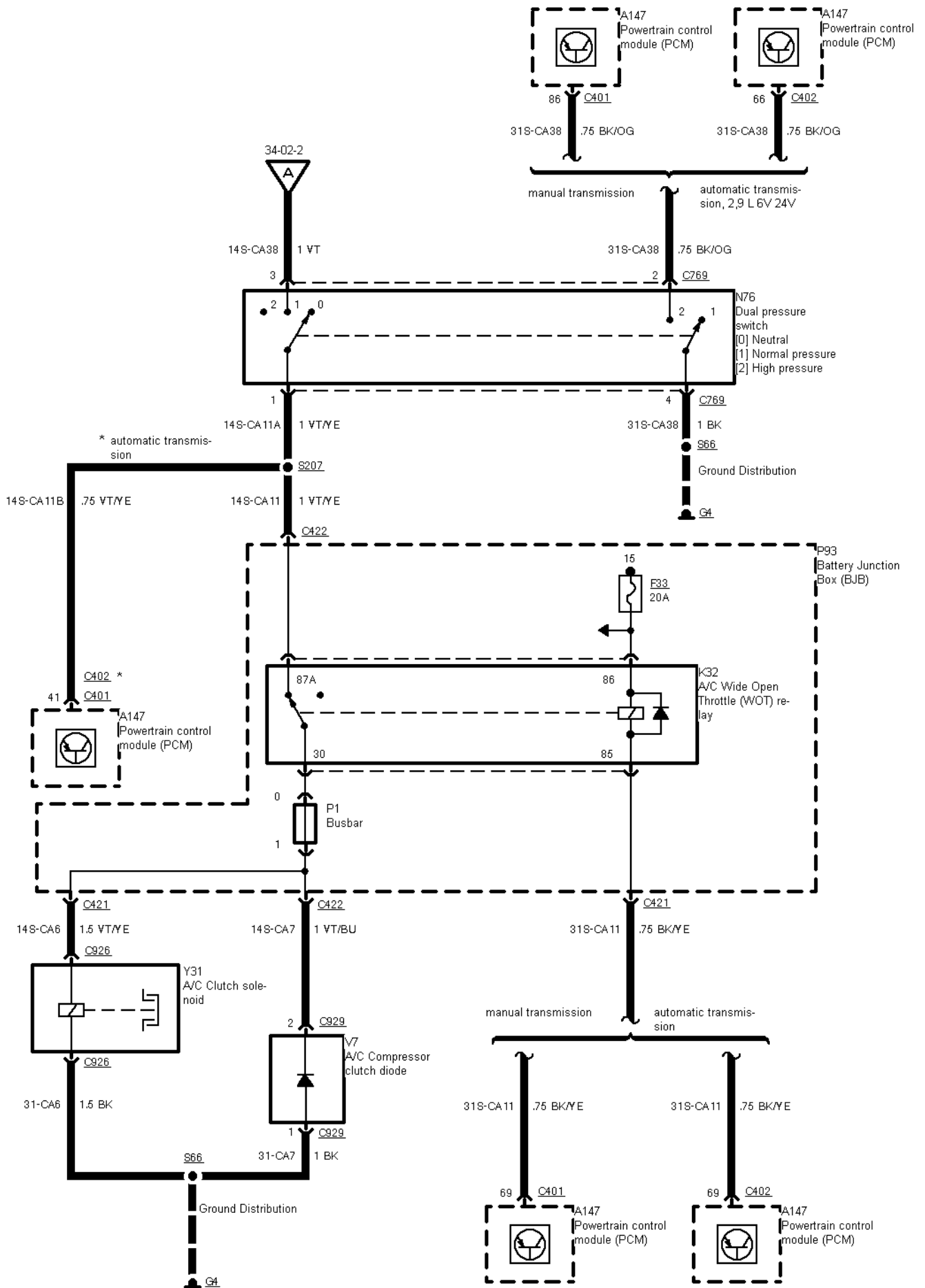
---

**34-02-005 , Air Conditioning , Without SATC module , Petrol engines before 02/95, except 2,9 I V6  
12V**

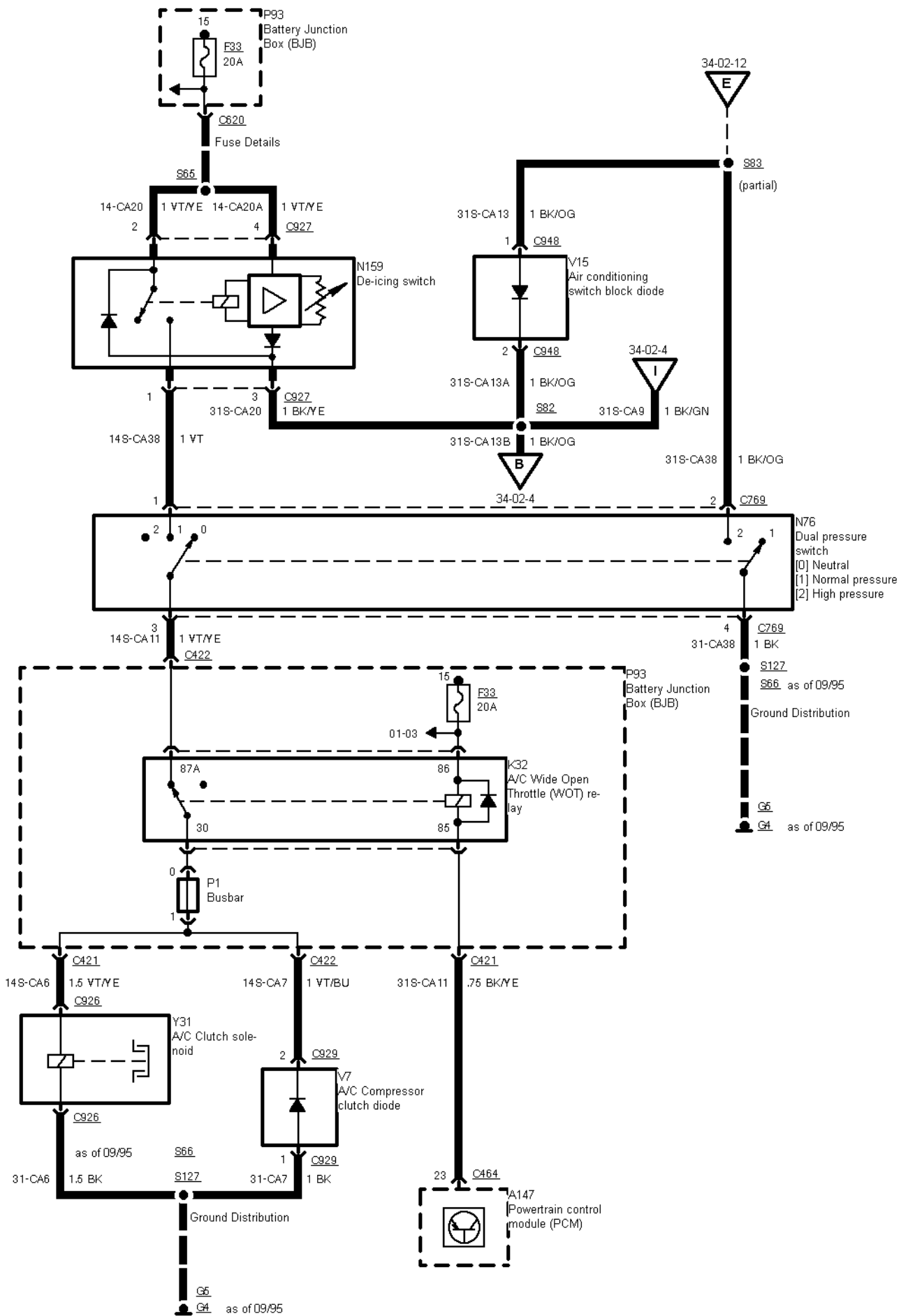
---



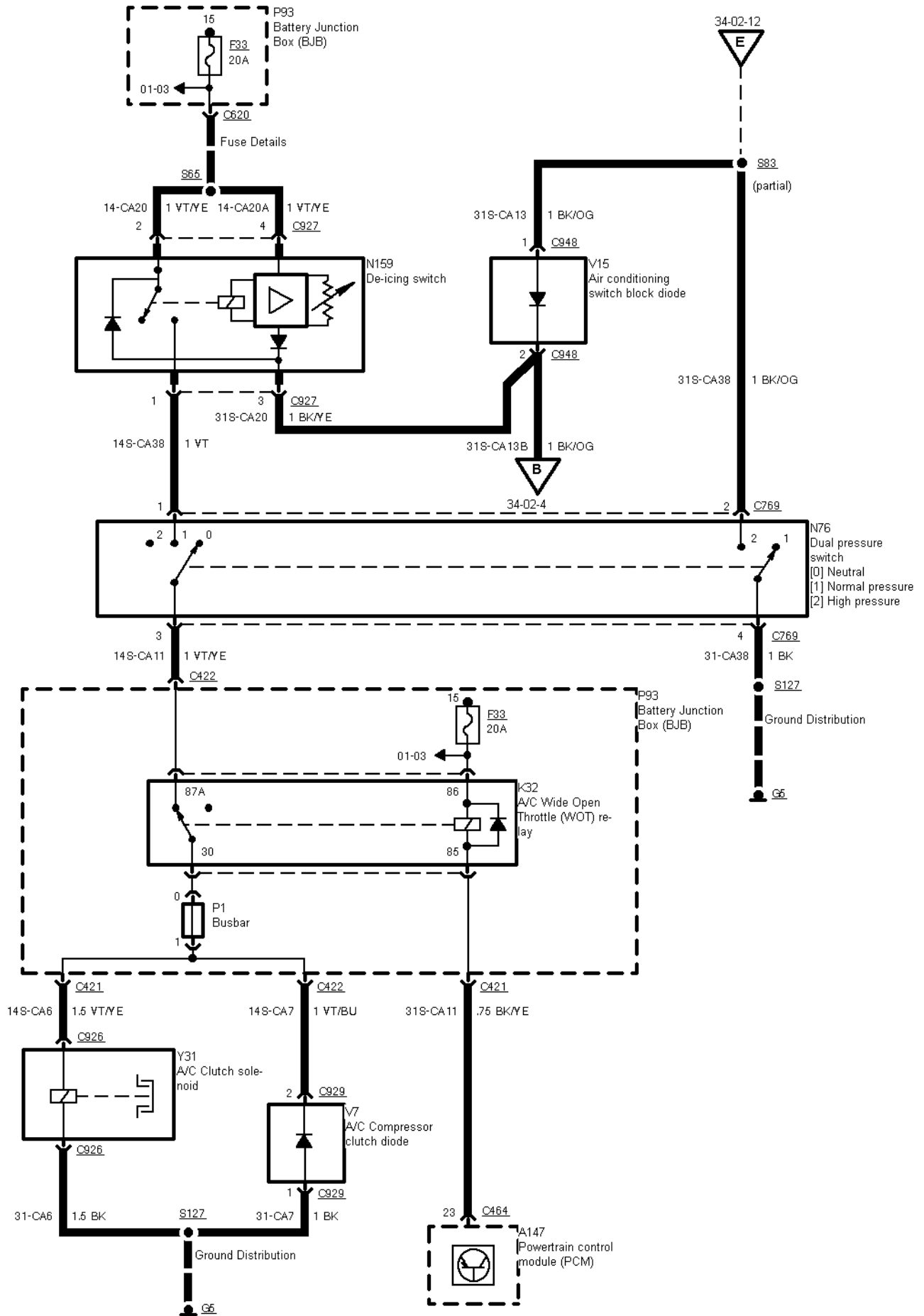
34-02-006 , Air Conditioning , Without SATC module, Petrol engines as of 02/95, except 2,9 I V6 12V

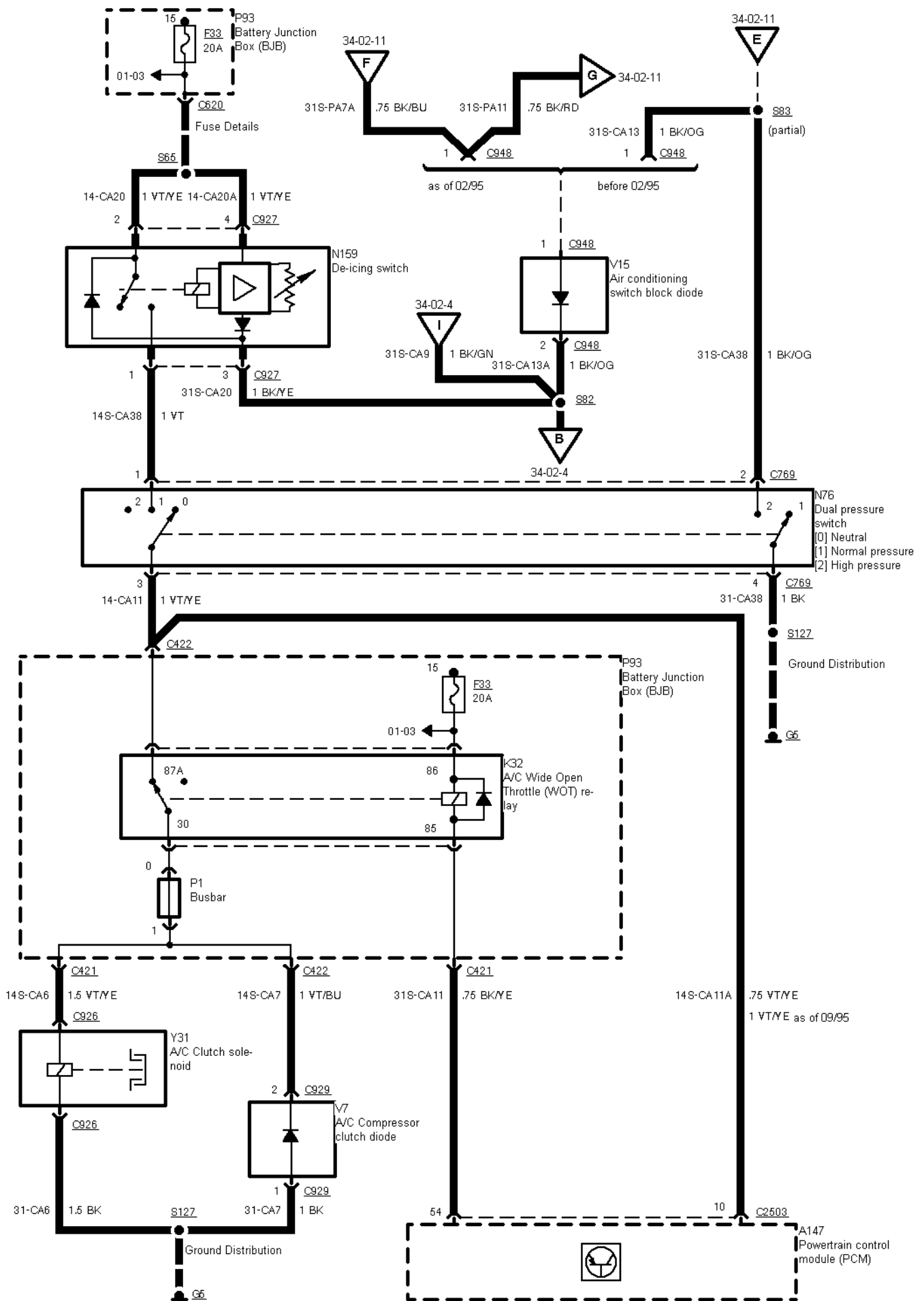


**34-02-007 , Air Conditioning , Without SATC module, TCI Diesel before 02/95 and as of 09/95, TCI Diesel without PATS from 02/95 to 09/95**

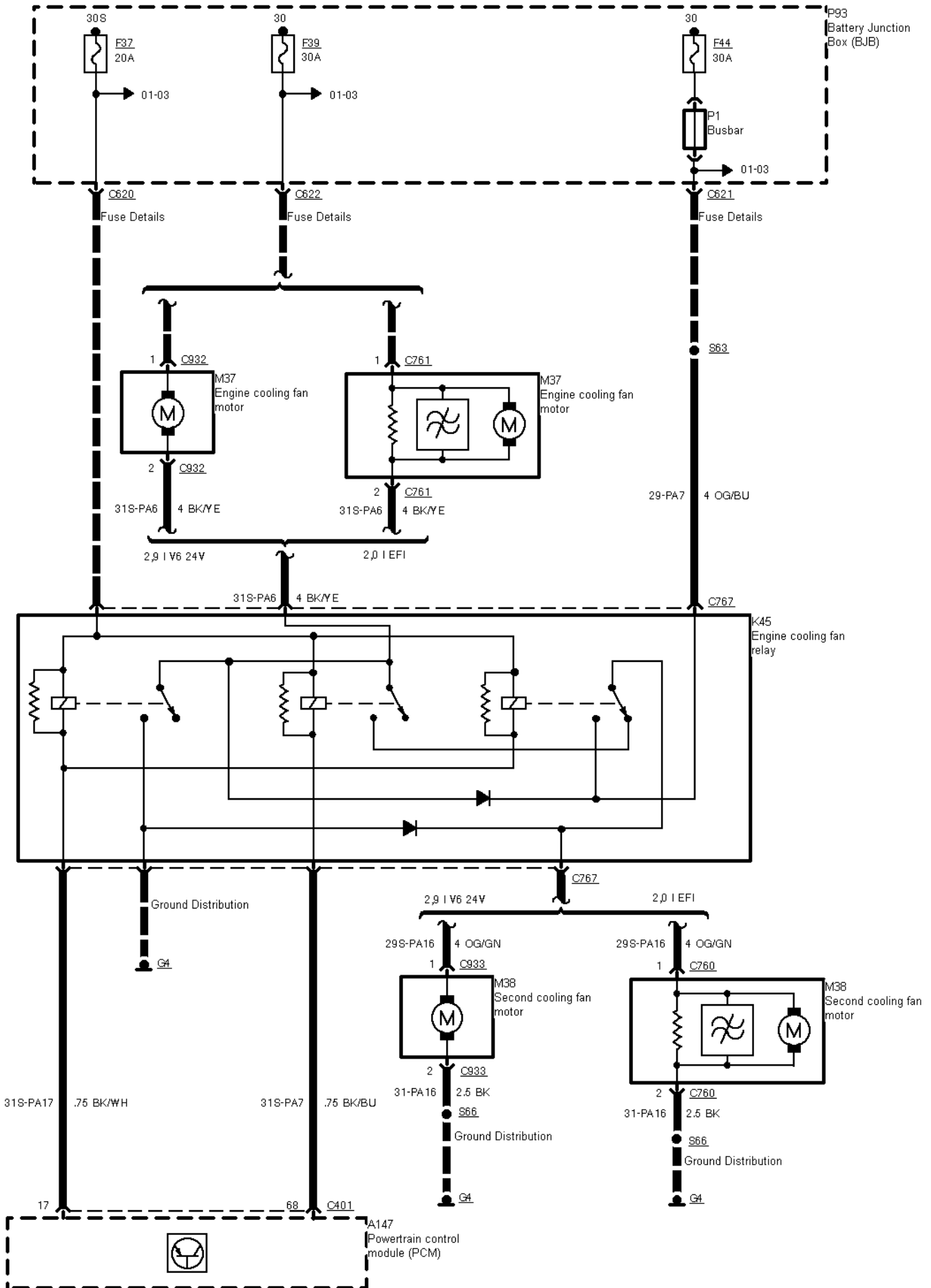


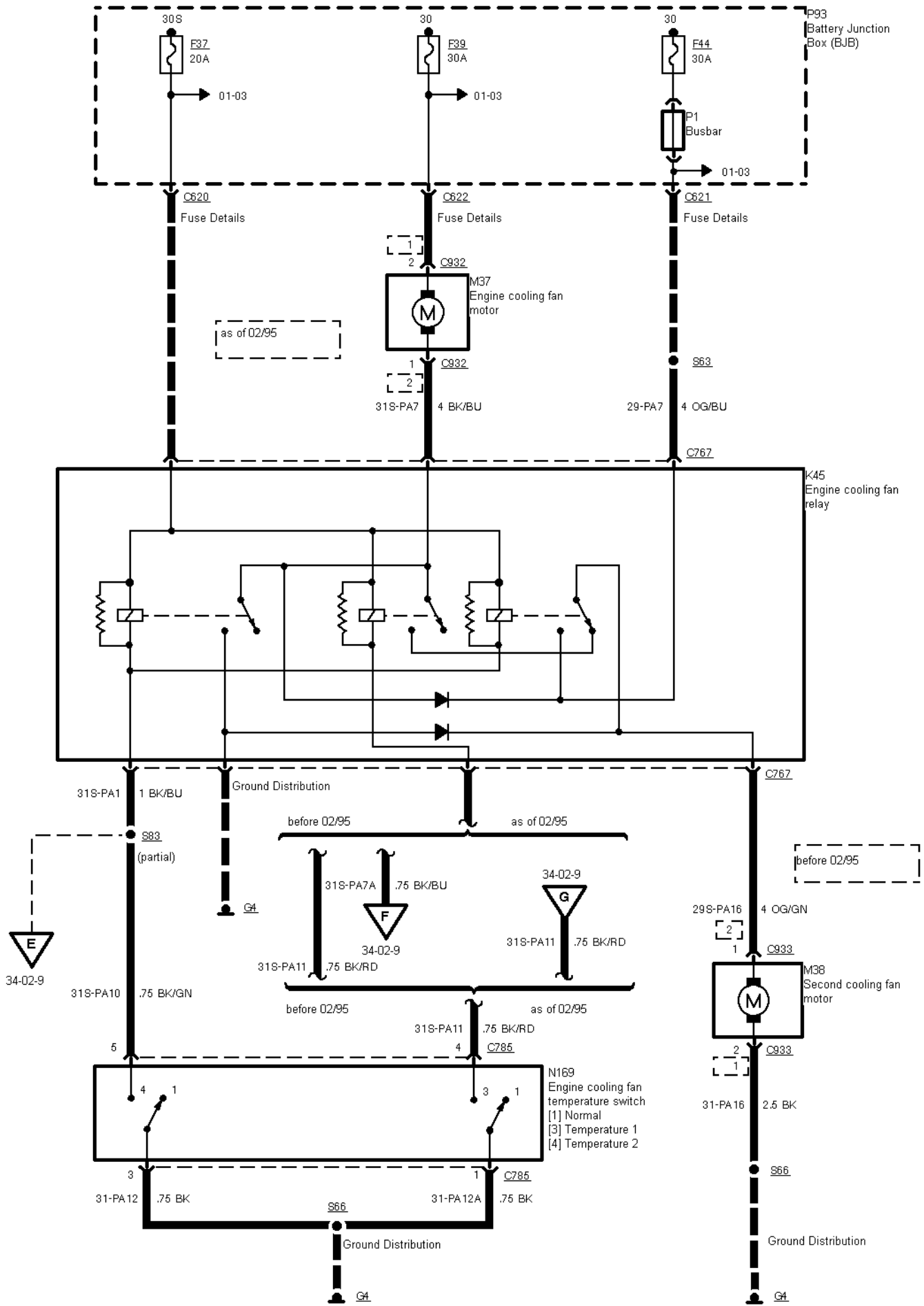




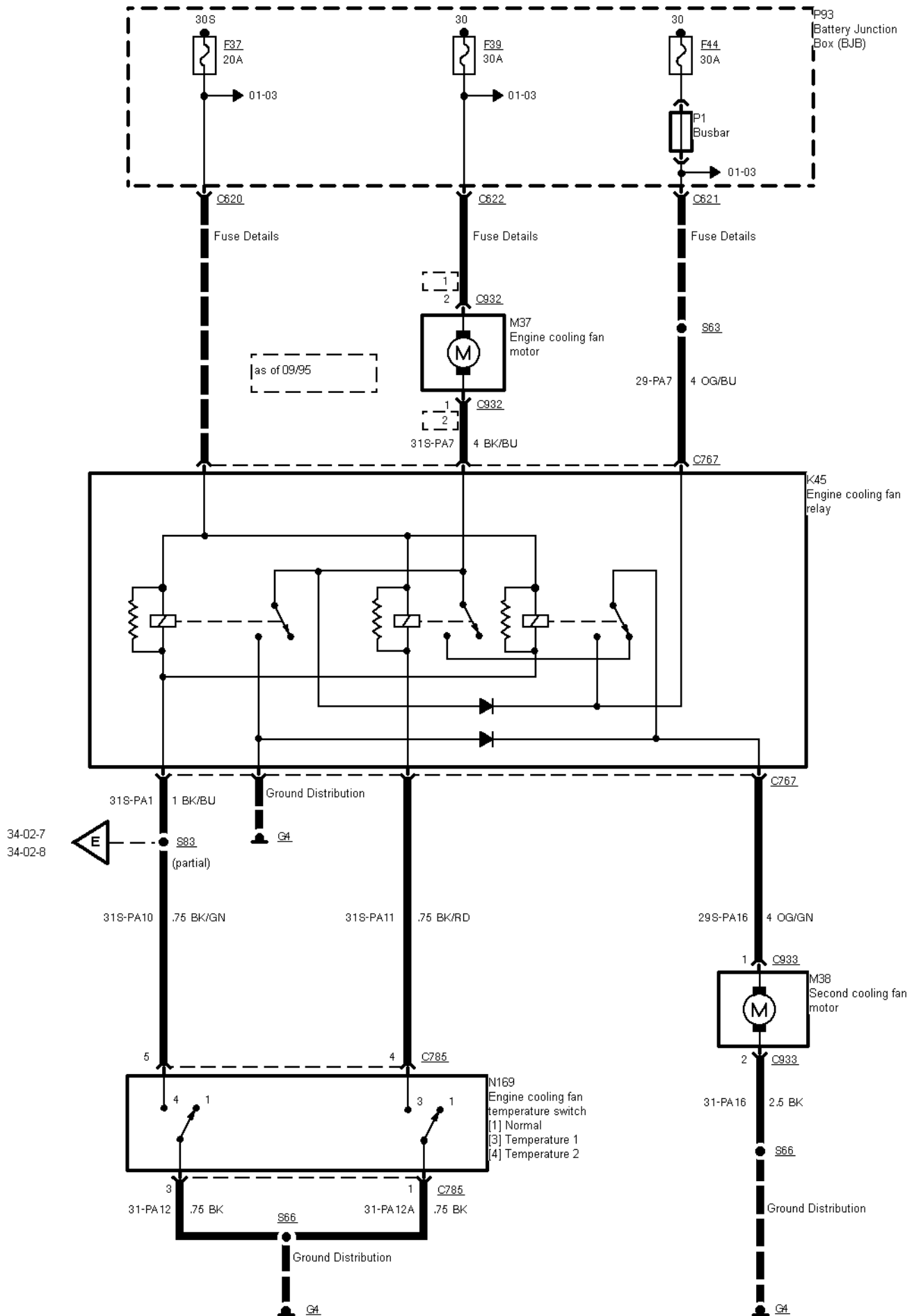


**34-02-010 , Air Conditioning , Engine cooling fan, except TCI Diesel, except 2,9 I V6 12V**





34-02-012 , Air Conditioning , Engine cooling fan, TCI Diesel



## 2 Circuit Description

